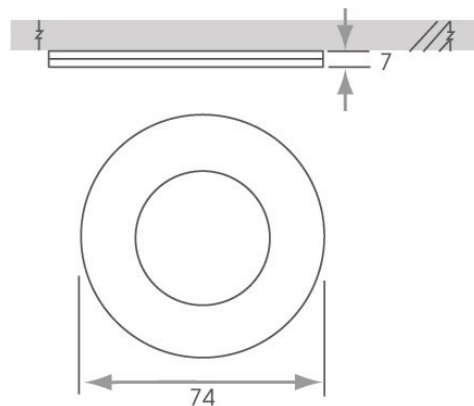


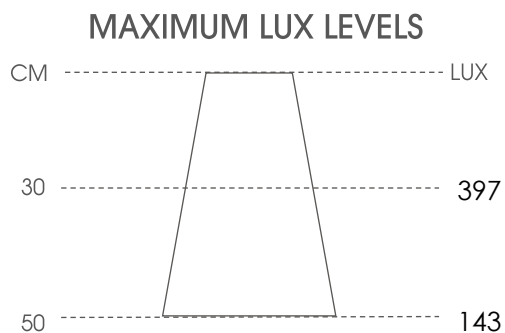
SIRIUS MAGNETIC SUPER SLIM LED CABINET LIGHT



FEATURES

This surface mounted fitting has a high quality body, with a super slim profile. The fitting features a unique magnetic fixing method for ease of fitting. It also features a diffused cover, so there are no visible LED points in the fitting. The LED is available in natural white, making it suitable for any type of kitchen design, whether traditional or contemporary. A brushed nickel magnetic bezel is included, however chrome or white magnetic bezels are available to purchase separately.

THE TECHNICAL SPEC...	
Fitting Type	LED
Voltage	12Vdc
Colour Temperature	Natural White (4000-4500k) Warm White (3000-3500k)
Lamp Life*	30,000 hours
Wattage	2W
Luminous efficacy	Natural White—57 lm/w Warm White—65 lm/w
CRI	Natural White—Ra 92 Warm White—Ra 84
Cable Length	1.5m
Mounting	Surface (magnetic)
Beam Angle	120
IP Rating	IP20



\*Based on 70% of initial lumen output

Part Numbers	Description
SY8935A/NW or WW	Sirius Super Slim Magnetic Cabinet Light
Suitable Power Converters	
SY9980B	8W 12Vdc LED Power Converter (max 3 lights)
SY9739A/MF	15W 12Vdc LED Power Converter (max 6 lights)