

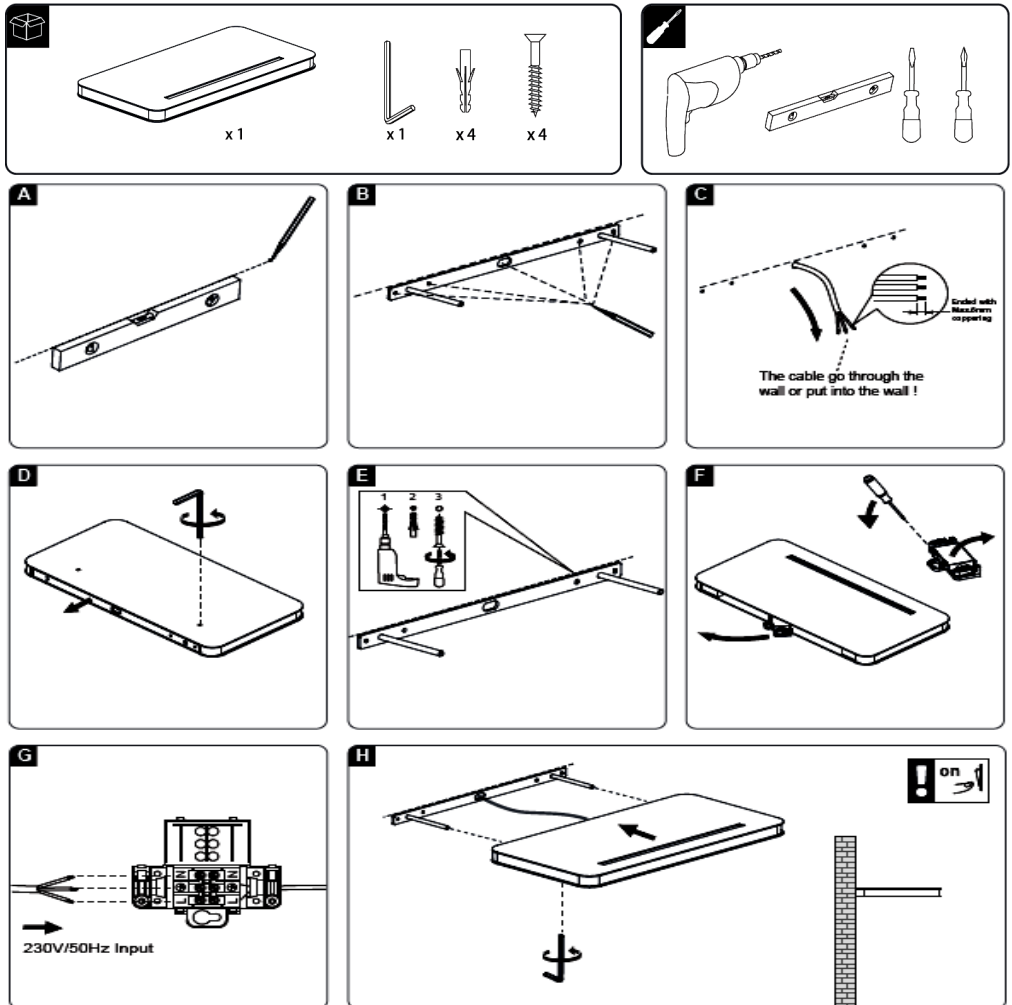
Installation instructions : Vega LED Shelf 230V~50Hz SY8939—SY8940

Thank you for purchasing this SycamoreLED.com product. Please make sure instructions are followed carefully prior to and during installation and product is not altered, otherwise warranty may not be valid. For technical support or warranty information please visit www.sycamoreLED.com, or call our dedicated technical helpline +44 (0) 113 2866686.

IMPORTANT—Please read prior to installation

- 1) Please read these instructions carefully before commencing any work
- 2) Please retain this leaflet for future reference

INSTALLATION DIAGRAMS



sycamore SY8939/8940



This luminaire contains built-in LED lamps.



} LED

The lamps cannot be changed in the luminaire.

874/2012

