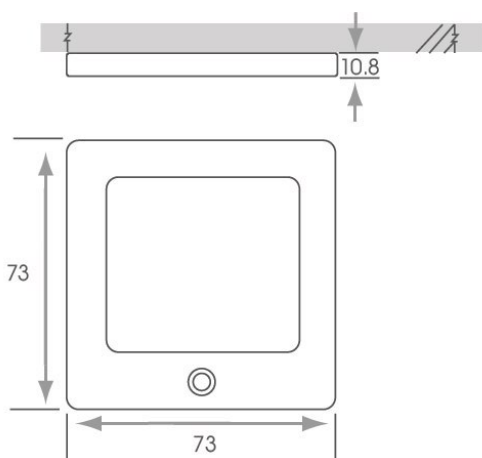


FEATURES

This NOVA Square lithium battery operated light is re-chargeable using the integrated USB port, and also includes the USB charging cable. The battery light, which has a diffused cover, and is available in natural white LED, also features an integrated PIR sensor which enables the unit to stay lit when movement is detected within a 500mm to 3 metre range, or when a cabinet door is opened. If in auto mode, the light will turn off if no movement is detected after 12 seconds. There is also a switch to turn the unit to always on, or off manually if required. The light takes 2 hours from no charge to full charge. Installation is simple, via the self adhesive magnetic plate. The fitting is then attached to the magnetic plate, and can be easily removed for charging purposes.

THE TECHNICAL SPEC...

Fitting Type	LED Battery
Voltage	5V
Colour Temperature	Natural White (4000-4500k)
Battery Capacity	600 mAh
Mounting	Surface (magnetic)
Finish	White
Lighting time	3 months (based on 5 minutes use per day operation without charge)



Part Numbers	Description
SY8927A	NOVA Square Battery Light