

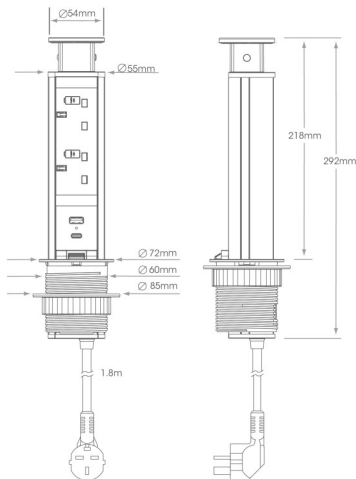
Installation instructions : SY9863SS Powertech Micro Pull Up Module

Thank you for purchasing this SycamoreLED.com product. Please make sure instructions are followed carefully prior to and during installation and product is not altered, otherwise warranty may not be valid. For technical support or warranty information please visit www.sycamoreLED.com, or call our dedicated technical helpline +44 (0) 113 2866686.

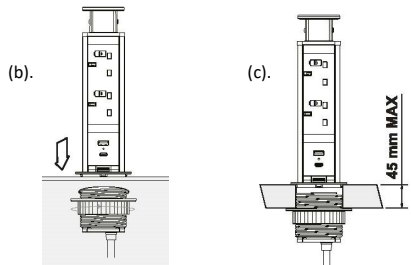
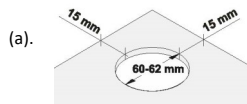
IMPORTANT—Please read prior to installation

- 1) Please read these instructions carefully before commencing any work
- 2) Please retain this leaflet for future reference
- 3) This product must be installed by a qualified electrician in accordance with the current IEE wiring regulations
- 4) To prevent electrocution switch the power off at the mains supply before installing or maintaining this fitting
- 5) Ensure others cannot restore the electrical supply without your knowledge
- 6) For use indoors only.
- 7) Avoid liquid spills into the outlet
- 8) Do not disassemble the unit
- 9) If any malfunction occurs, do not attempt to repair.
- 10) For desktop or counter top mounting only—ensure the surface is reliable.
- 11) Do not use attachments not recommended by the manufacturer.

INSTALLATION



- 1) Select a desired desktop or countertop surface. Surface must be 45mm thick max with 340mm clearance space.
- 2) Cut a circular hole 60mm –62mm in diameter on the desired counter top surface (a).
- 3) Before lowering the unit into the prepared hole, remove the locking ring by turning clockwise (b).
- 4) Feed power cord through the grommet hole, then mount the unit into the cut out, making sure the unit is level.
- 5) Place the locking ring onto collar. Ensure the thread is engaged properly & turn the locking ring clockwise to tighten (c). Make sure the locking ring is compressed tightly on the underside of mounting surface.
- 6) Plug in and you may now start to use the unit.



INSTALLATION INSTRUCTIONS

- Integrated and efficient vertical pop-up power outlet
- Suitable for kitchen countertops, desktops and similar surfaces
- To open, press the top cover and the top will pop up.
- Lift it upwards until it locks.