

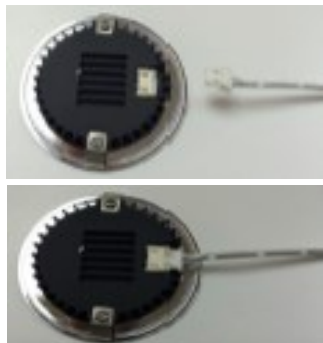
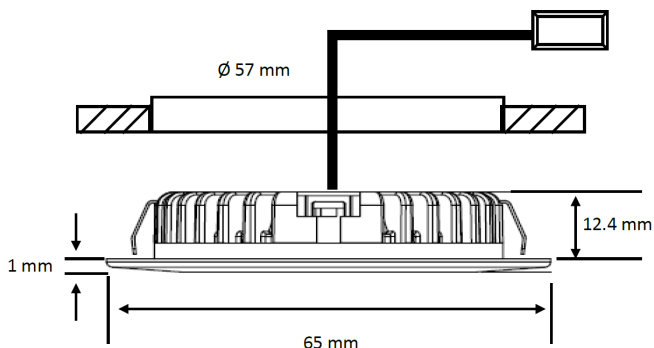
Installation instructions : Sirius LED Recessed/Surface Light SY7453/SY7462

Thank you for purchasing this SycamoreLED.com product. Please make sure instructions are followed carefully prior to and during installation and product is not altered, otherwise warranty may not be valid. For technical support or warranty information please visit www.sycamoreLED.com, or call our dedicated technical helpline +44 (0) 113 2866686.

IMPORTANT—Please read prior to installation

- 1) Please read these instructions carefully before commencing any work
- 2) It is strongly recommended that this unit is installed by a qualified electrician
- 3) To prevent electrocution switch the power off at the mains supply before installing or maintaining this fitting
- 4) Ensure others cannot restore the electrical supply without your knowledge
- 5) The PSU must be rated 12VDC and be compatible with the pre-wired connector system of this product
- 6) Never exceed the wattage stated

DIAGRAMS



INSTALLATION

RECESSED

- 1) Suitable for installation into blind hole
- 2) Cut 57mm hole in suitable surface
- 3) Route cable in desired location, ensuring that the plug of the light can be connected to the driver (PSU) 12Vdc
- 4) Connect into rear of light fitting and PSU
- 5) Insert light in recess
- 6) Check operation of light

SURFACE

- 1) Fix surface ring in position using screws provided
- 2) Ensure that cable is located via cut out on spacer
- 3) Connect into rear of light fitting and into PSU
- 4) Insert light into spacer and check operation

CARE IN USE

- 1) Please note this fitting has non replaceable parts
- 2) Always switch off or disconnect from the mains when cleaning the product.
- 3) We recommend cleaning with a soft dry cloth. Do not use scourers, abrasives or chemical cleaners

sycamore

SY9566/9567



This luminaire
contains built-in
LED lamps.



} LED

The lamps cannot be
changed in the luminaire.

874/2012

