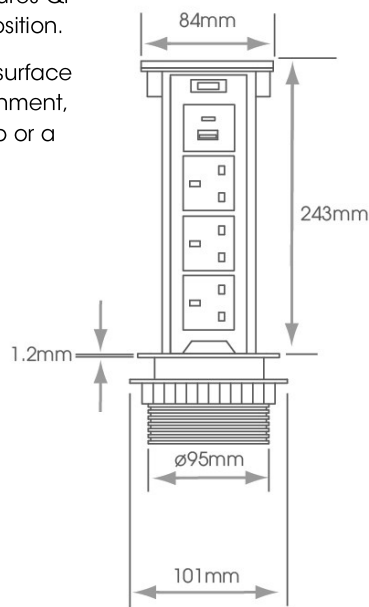




This new version of the Powertech module pulls up to reveal 3 UK sockets and 2 USB ports. It also features Qi wireless charging when the module is in any position.

The super-slim top is nearly flush with the work surface making it blend on with the surrounding environment, and is available in either a sleek black glass top or a stainless steel effect top.

Technical Info	
Finish	Black/Stainless Steel
Wireless Charging	Qi
UK Sockets	3
USB Ports	1 X USB-C (3.0A) 1 X USB-C (2.1A)
Cable Length	2m
Cut Out Size	95mm



Part Number	Description
SY9058BL	Powertech Pro Pull Up Module with Qi Charging, USB & Black Top
SY9058SS	Powertech Pro Pull Up Module with Qi Charging, USB & Stainless Steel Top