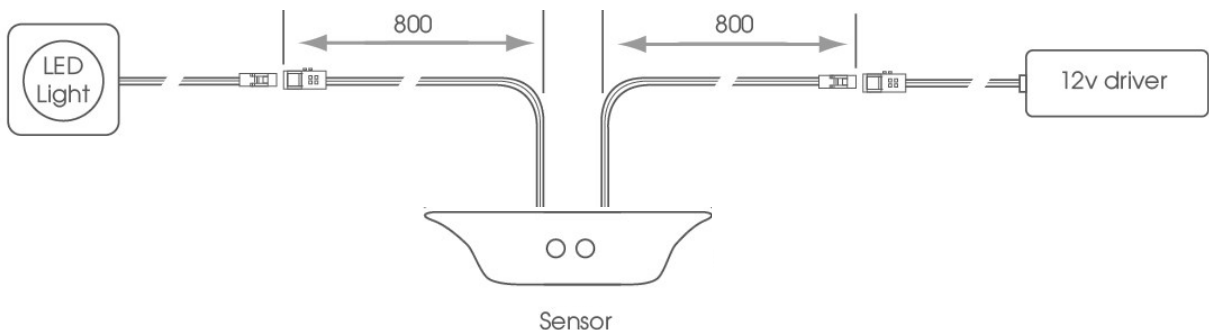
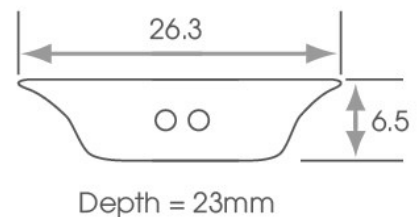


The Technical Spec....	
Power Supply	12Vdc
Cable Length	800mm
Wattage	24W maximum
Mounting	Surface

FEATURES

The new Slim-line Sirius infra red door sensor switch is designed to work with a single cabinet or cupboard door, by automatically turning a light on or off when a cupboard door is opened or closed. It is compatible with all of our 12Vdc LED lighting ranges, and offers a simple plug and play connection system.

The unit includes connection for one light, however a 12 way distribution block is available to purchase separately.



Part Number	Description
SY8928B	Sirius Slimline Infra Red Door Sensor
SY7637	12 way distributor block