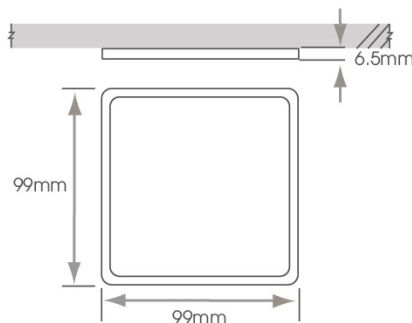




The Vega Range is at the forefront of modern technology, offering an economic alternative to halogen lights. Designed to offer a superior light output, the Vega has a diffused cover to mimic the appearance of halogen cabinet lights, and has no visible LED points. The fitting also has a unique magnetic fixing method.

Available in brushed nickel or matt black, with warm or natural white LED.



The Technical Spec...	
Fitting Type	LED
Voltage	12vdc
Colour Temperature	3000k or 4000k
Guarantee	5 Years
Wattage	3.5W
Total Lumens	WW—185lm, NW—198lm
CRI	WW—Ra 93, NW—Ra 96
Cable Length	1.5m
Mounting	Surface - Magnetic
Beam Angle	120 Degree
IP Rating	IP20
Fitting Finish	Brushed Nickel/Matt Black

Part Numbers	Description
SY8949BN/NW or WW	Vega 3.5W LED magnetic flat panel cabinet light brushed nickel/warm or natural white
SY8949BL/WW or NW	Vega 3.5W LED magnetic flat panel cabinet light matt black/warm or natural white
Suitable Power Converters	
SY9980B	12Vdc 8W LED Power Converter (1-2 lights)
SY9739B	12Vdc 15W LED Power Converter (1—4lights)
SY7350C	12Vdc 20W LED Power Converter (1—5 lights)
SY7715A	12Vdc 20W LED Power Converter (1—6 lights)
Compatible Accessories	
SY7183/2 or 5	Extension lead in 2m or 5m (extend from power converter to light)
Refer to Website	<b>Kinetic Smart Lighting Controls (inc dimming)</b> Control via wireless wall plate switch, smart device or Smart assistant such as Amazon Alexa
Refer to Website	<b>4 Zone Remote Controls (inc dimming)</b> Control via a hand held remote control, smart device or wireless wall plate switch
Refer to Website	<b>Switches, Sensors and Dimmers</b> We have a selection of motion sensors, door sensors, switches and dimmers available for this product.