

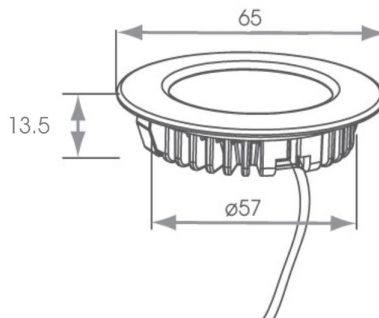
Installation instructions : Polaris COB Connect LED Surface/Recessed SY7949/7950

Thank you for purchasing this SycamoreLED.com product. Please make sure instructions are followed carefully prior to and during installation and product is not altered, otherwise warranty may not be valid. For technical support or warranty information please visit www.sycamoreLED.com, or call our dedicated technical helpline +44 (0) 113 2866686.

IMPORTANT—Please read prior to installation

- 1) Please retain these installation instructions for future reference
- 2) Before installation or lamp replacement ensure the power supply to the luminaire is switched off and the circuit breaker is turned off
- 3) This product must be installed by a qualified electrician in accordance with current IEE regulations

DIAGRAMS



Cut out size if recessed 57mm
Spacer Depth 16mm

RATINGS

- 1) These fittings are of class 2 construction and double insulated
- 2) CE approved
- 3) Environment temperature -10 $+30$

INSTALLATION

- 1) Select a suitable mounting location to install the luminaire, checking that there is adequate free air ventilation around the driver (Cut a suitable size hole in the ceiling)
- 2) Connect driver to suitable electrical circuit (Must be RCD protected in a bathroom)
- 3) Install fitting in to cut out ensuring the spring clips hold the unit securely.
- 4) Connect to fast fit connector on secondary cable from driver. Restore power and test. Operation of light.

LAMP REPLACEMENT

- 1) Non Replaceable LED MODULE

sycamore SY7949/7950



This luminaire contains built-in LED lamps.

A⁺⁺

A⁺

A

~~B~~

~~C~~

~~D~~

~~E~~

} LED

The lamps cannot be changed in the luminaire.

874/2012

