

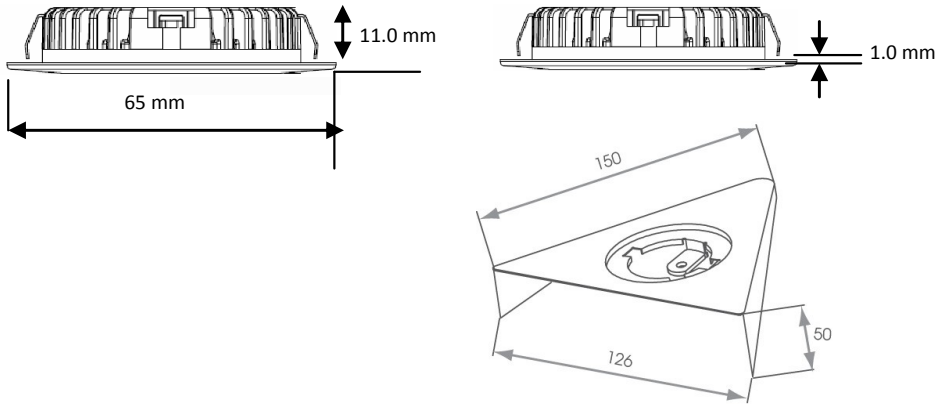
Installation instructions : Trieste LED Cabinet Light SY7155A

Thank you for purchasing this SycamoreLED.com product. Please make sure instructions are followed carefully prior to and during installation and product is not altered, otherwise warranty may not be valid. For technical support or warranty information please visit www.sycamoreLED.com, or call our dedicated technical helpline +44 (0) 113 2866686.

IMPORTANT—Please read prior to installation

- 1) Please read these instructions carefully before commencing any work
- 2) Please retain these instructions for future reference

SPECIFICATION & DIAGRAMS



INSTALLATION INSTRUCTIONS

1. Fix triangular body in position using screws provided
2. Ensure that cable is located via cut out on spacer
3. Connect into PSU using fast fit connector
Insert light into spacer and check operation

CARE IN USE

1. Please note this fitting has non replaceable parts
2. Always switch off or disconnect from the mains when cleaning the product.
3. We recommend cleaning with a soft dry cloth. Do not use scourers, abrasives or chemical cleaners.

sycamore SY7155A



This luminaire contains built-in LED lamps.



} LED

The lamps cannot be changed in the luminaire.

874/2012



