

sycamoreLED.com



2021
BATHROOM
LIGHTING

WELCOME TO OUR NEW BATHROOM LIGHTING CATALOGUE FOR 2021

Sycamore Lighting has been at the forefront of lighting innovation since 1998. Our dedication to quality has resulted in sustained growth by offering a diverse range of lighting and the very latest in technology. Major investment in new technologies and personnel, together with state of the art testing and training facilities has enabled us to cross over into different market sectors, whilst also retaining our reputation as a major supplier of lighting and control systems to the KBB markets throughout the UK and Europe.

Our Bathroom range for 2021 features a stunning new collection of LED Lighting with Bluetooth Speakers and Tunable White capabilities, including LED mirrors and IP44 rated ceiling lighting.

We also have a comprehensive collection of LED lighting and lighting control systems for the kitchen & bedroom, please contact our sales department on sales@sycamoreLED.com or 0113 2866686 to request a copy.

EnabLED

LEDs and LED controls are the future of lighting, and as LED capabilities continue to evolve and expand, new markets are opening up all the time. Developing new, innovative solutions for tomorrow's new LED applications takes significant investment in research and design, so by joining the EnabLED licensing program, Sycamore LED has gained access to over 490 Signify inventions and patented technologies, which we can now build into our own products.

With access to these cutting-edge technologies, we can gain greater freedom to design optimal solutions for our products. We can shorten our time to market and also achieve an excellent balance of cost-to-quality including cost-effectiveness in our component sourcing.

Please visit www.signify.com/enabled to confirm which companies are currently licensed in the scheme and what the EnabLED licensing program covers in more detail.



Contents

Kinetic Smart Controls

4

Tunable LED Mirrors

8

IP65 Fire Rated Dimmable & Switchable LED Downlight

12

IP44 LED Ceiling Light

14

Sirius IP44 LED Cabinet Light

16

IP65 Flexible LED Strip

18

PIR Motion Sensor

20

Shaver Sockets

22

Tunable LED Mirrors with Bluetooth Speaker

6

LED Vanity Mirrors

11

IP44 Tunable LED Ceiling Light with Bluetooth Speaker

13

Nova LED Battery Cabinet Light

15

LED Plinth Lights

17

Door Sensor

19

Extractor Fans

21

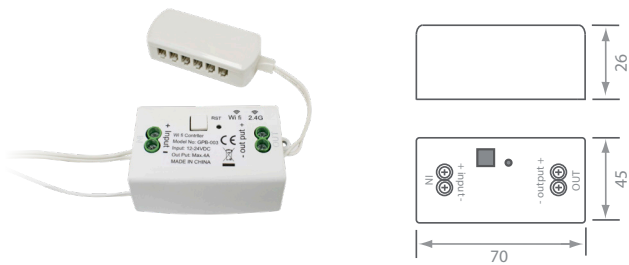
Kinetic Switching System

WIRELESS SMART LIGHTING CONTROLS



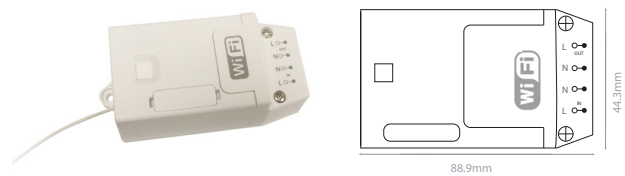
These receivers are used to provide wireless switching. This can be done from the kinetic wireless switch (opposite page) or voice control devices such as Amazon's Echo or Google Play devices. In addition, they can be controlled on your smartphone or tablet via the Smart Life app.

12V/24V Furniture Lighting Smart Wireless Receiver SY2416

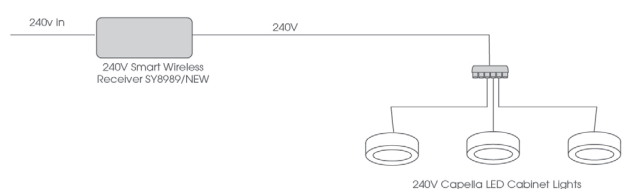
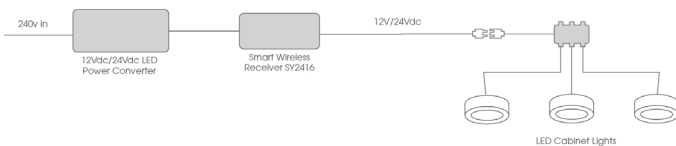


Look for the logo for compatible products

240V Lighting Smart Wireless Receiver SY8989/NEW



Look for the logo for compatible products



Dimensions are given in mm



Kinetic Switching System

WIRELESS SMART LIGHTING SWITCHES & DOOR SENSOR



The new wireless Kinetic Switching system allows users to turn on their kitchen, bedroom or bathroom lighting in three different ways. Lighting can be controlled manually by using the switch, through a smart phone or tablet using the Smart Life App (downloadable via the QR code on the instruction leaflet), or by connecting it to a voice controlled intelligent personal assistant such as Amazon Alexa or Google Home. Once connected, lighting can be operated with simple commands, such as "Alexa turn on kitchen lights" or "Google dim plinth lights".

The Kinetic Switches require no wiring or batteries and can be installed anywhere in the home, including the bathroom due to its IP67 rating.

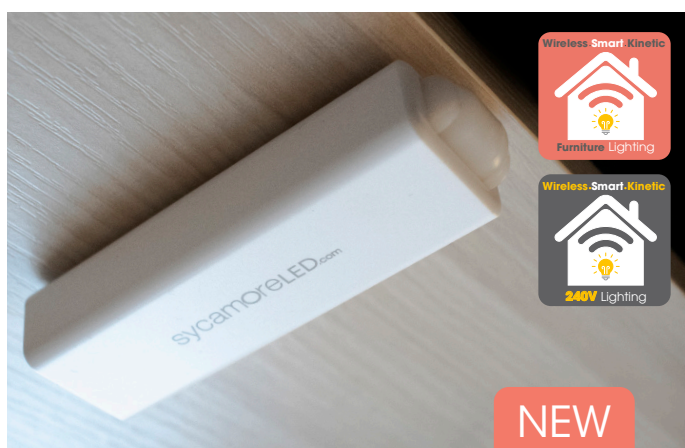
The switches are compatible with part codes SY2416 & SY8989NEW.



- 1 Gang Kinetic Switch SY8990
- 2 Gang Kinetic Switch SY8991
- 3 Gang Kinetic Switch SY8992

Technical Information

Finish	White
IP Rating	IP67
Connection	Wireless
Fixing Method	Adhesive or screw plate
Dimensions	86mm x 86mm
Control Distance	80m outdoor, 25m indoor



This Kinetic Wireless door sensor switch is a battery free contact switch to turn lights on and off, so no charging or wires are required.

To be used with the Sycamore Kinetic Smart furniture system.

When the door is opened the light switches on via a kinetic energy transfer to the receiver.

A small amount of kinetic energy is generated by the action of the clicking of the switch, which is converted to an electrical signal and sent to the receiver. The amount of energy used is very low, so the switch adheres to strict requirements on low power consumption & helps the environment. Receiver required (SY8989/NEW or SY2416).

Technical Information

Finish	White
IP Rating	IP20
Connection	Wireless
Fixing Method	Adhesive

Download the Smart Life app here:

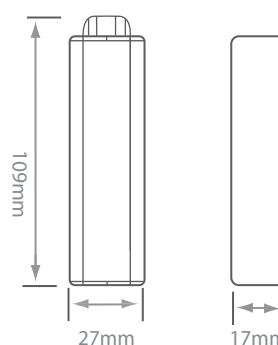
IOS



ANDROID



Kinetic Wireless Door Sensor SY2446



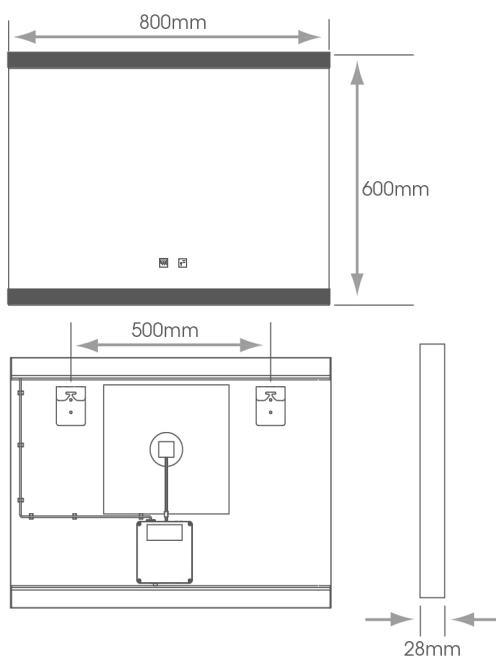
Hamilton Tunable LED Mirror

WITH BLUETOOTH SPEAKER & DEMISTER



Hamilton Tunable LED Mirror
with Bluetooth Speaker & Demister
800mm x 600mm

SY9015/SPEAKER



The new Hamilton LED Mirror features built in dual channel Bluetooth Speaker which enables users to stream from connected devices, such as smartphones or tablets.

It also features a diffused illuminated border, which provides a uniform light output with no dark spots. The Tunable function enables users to choose the most suitable colour temperature for their décor or individual preference; warm white, natural white or cool white. It can also be dimmed to create the desired ambience.

The built in demister pad ensures a fog free mirror, and the mirror has an IP44 rating making it suitable for use in a bathroom environment.

Technical Information

Power Supply	240V
Cable Length	300mm
Guarantee	3 Years
Colour Appearance	Tunable White (Warm, Natural or Cool White)
Colour Temperature	Tunable White (2700K, 4000K or 6500K)
Wattage	24W
IP Rating	IP44
Total Lumens	1400lm



Windsor Tunable LED Mirror

WITH BLUETOOTH SPEAKER & DEMISTER



The new Windsor LED Mirror features built in dual channel Bluetooth Speakers which enables users to stream from connected devices, such as smartphones or tablets.

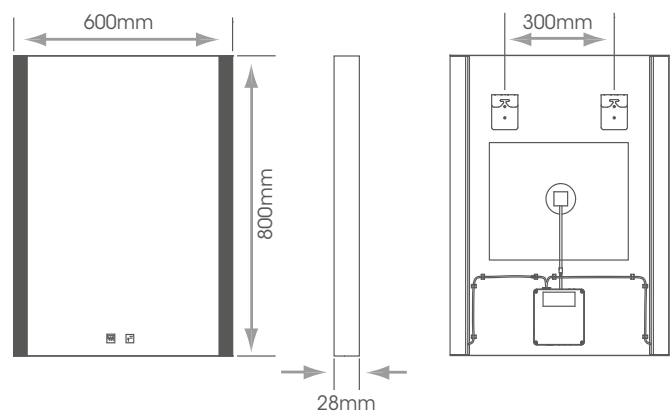
It also features a diffused illuminated border, which provides a uniform light output with no dark spots. The Tunable function enables users to choose the most suitable colour temperature for their décor or individual preference; warm white, natural white or cool white. It can also be dimmed to create the desired ambience.

The built in demister pad ensures a fog free mirror, and the mirror also has an IP44 rating making it suitable for use in a bathroom environment.

Windsor Tunable LED Mirror
with Bluetooth Speaker & Demister
600mm x 800mm
SY9016/SPEAKER

Technical Information

Power Supply	240V
Cable Length	300mm
Guarantee	3 Years
Colour Appearance	Tunable White (Warm, Natural or Cool White)
Colour Temperature	Tunable White (2700K, 4000K or 6500K)
Wattage	24W
IP Rating	IP44
Total Lumens	1400lm



Milton Tunable LED Mirror

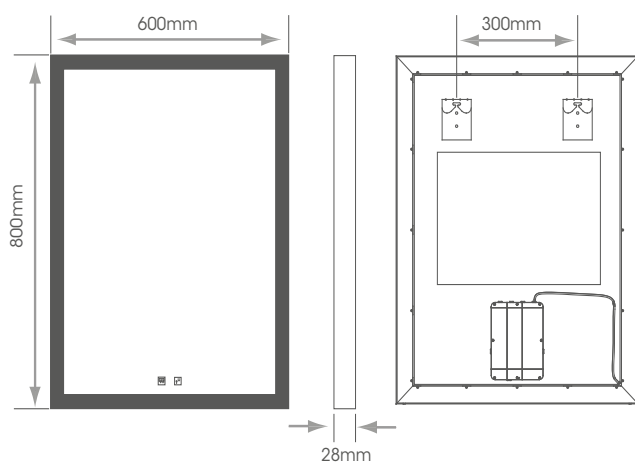
WITH DEMISTER



Milton Tunable LED Mirror
with Demister 600mm x 800mm
SY9007

This LED Mirror features a diffused illuminated border, which provides a uniform light output with no dark spots. The Tunable colour temperature enables users to choose the most suitable colour temperature for their décor or individual preference, warm white, natural white or cool white. It can also be dimmed to create the desired ambience.

The built in demister pad ensures a fog free mirror, and has an IP44 rating making it suitable for use in a bathroom environment.



Technical Information

Power Supply	240V
Cable Length	300mm
Guarantee	3 Years
Colour Appearance	Tunable White (Warm, Natural or Cool White)
Colour Temperature	Tunable White (2700K, 4000K or 6500K)
Wattage	24W
IP Rating	IP44
Total Lumens	1400lm



Sudbury Tunable LED Mirror

WITH DEMISTER



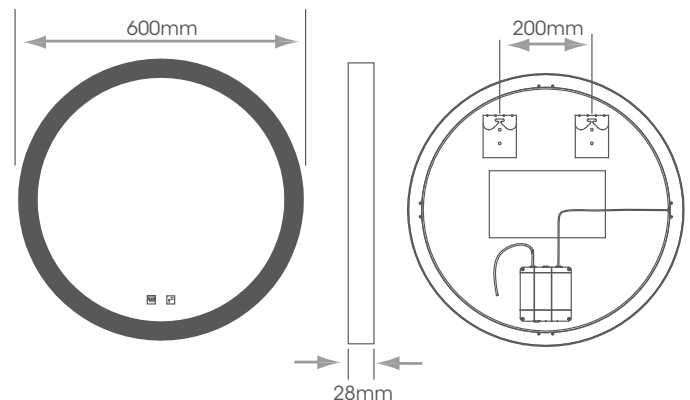
Sudbury Tunable LED Mirror
with Demister 600mm
SY9009

The Sudbury Mirror features a diffused illuminated border, which provides a uniform light output with no dark spots. The Tunable function enables users to choose the most suitable colour temperature for their décor or individual preference; warm white, natural white or cool white. It can also be dimmed to create the desired ambience.

The built in demister pad ensures a fog free mirror, and the mirror has an IP44 rating making it suitable for use in a bathroom environment.

Technical Information

Power Supply	240V
Cable Length	300mm
Guarantee	3 Years
Colour Appearance	Tunable White (Warm, Natural or Cool White)
Colour Temperature	Tunable White (2700K, 4000K or 6500K)
Wattage	24W
IP Rating	IP44
Total Lumens	1400lm



Stratford Tunable LED Mirror

WITH DEMISTER



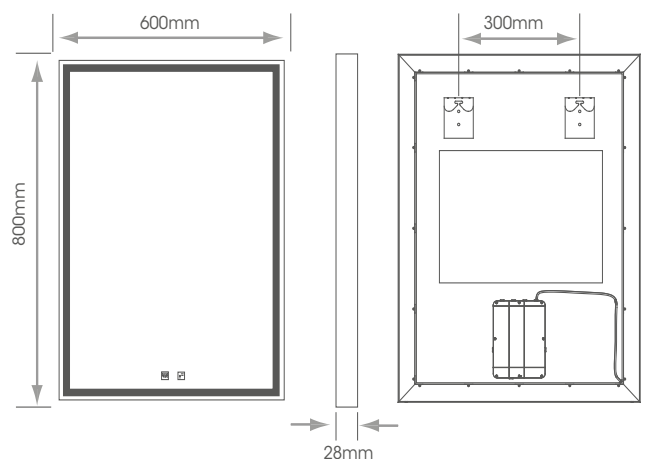
Stratford Tunable LED Mirror
with Demister 600mm x 800mm
SY9008

The new Stratford LED Mirror features a diffused illuminated border, which provides a uniform light output with no dark spots. The Tunable colour temperature enables users to choose the most suitable colour temperature for their décor or individual preference; warm white, natural white or cool white. It can also be dimmed to create the desired ambience.

The built in demister pad ensures a fog free mirror, and the mirror has an IP44 rating making it suitable for use in a bathroom environment.

Technical Information

Power Supply	240V
Cable Length	300mm
Guarantee	3 Years
Colour Appearance	Tunable White (Warm, Natural or Cool White)
Colour Temperature	Tunable White (2700K, 4000K or 6500K)
Wattage	24W
IP Rating	IP44
Total Lumens	1400lm



Portable LED Vanity Mirrors

LITHIUM RECHARGEABLE BATTERY



Lorraine Rechargeable LED Vanity Mirror
SY9011

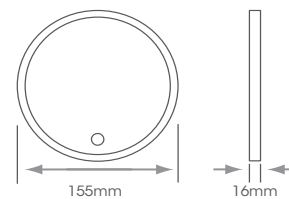
The elegant Lorraine compact mirror is rechargeable using a USB cable (included), and lasts for up to 2 hours when fully charged. Simply touch the mirror to turn on or off.

The mirror comes with its own stand, but also features a reusable adhesive back to stick to surfaces such as ceramic, marble, acrylic, porcelain, enamel, and other mirrors.

It also has 2 x magnification, and built in eye protection with extreme low blue light. Available in natural white which closely simulates natural daylight.

Technical Information

Lithium Battery	5Vdc
Wattage	1.5W
Recharge Time	1.5 hours from no charge to full charge
Charging	Via USB cable
Colour Appearance	Natural White
Sensor	Touch On/Off
IP Rating	IP20
Guarantee	12 Months



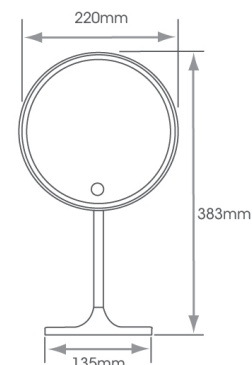
Titan Rechargeable LED Vanity Mirror
SY9021

This stylish Titan mirror features an illuminated halo ring which is activated and dimmed at the touch of the in-built button. The mirror also features a sensor, which turns the light off after 20 seconds if it senses no movement. The sensor stays activated for 15 minutes so will switch the light on again if it senses further movement. After this period it will enter a sleep state and will require re-activating via the button.

It is rechargeable using a USB cable, and lasts for up to 2 hours when fully charged.

Technical Information

Lithium Battery	5Vdc
Battery Capacity	4000mAh
Recharge Time	3 hours from no charge to full charge
Charging	Via USB cable
Colour Appearance	Natural White
Sensor	Touch On/Off/Dimming & Auto
IP Rating	IP20
Guarantee	12 Months



Illuma 3 Switchable Dimmable LED

IP65 FIRE RATED DOWNLIGHT



compatible



Switchable Dimmable LED IP65
Fire Rated Downlight White

SY9004WH

Brushed Nickel Bezel

SY9005BN

Polished Chrome Bezel

SY9006CC

Matt Black Bezel

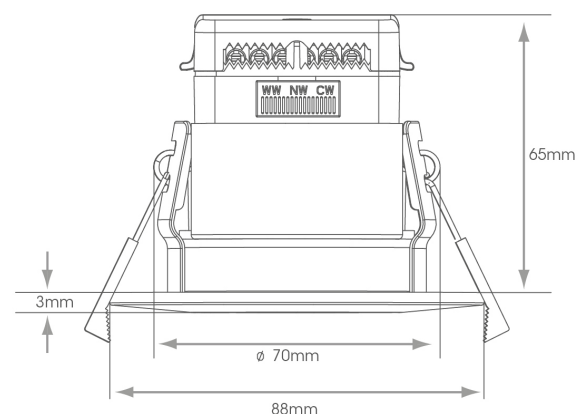
SY9006CC

Technical Information

Power Supply	240V
Colour Appearance	Switchable Warm, Natural or Cool White
Colour Temperature	Switchable 3000k/4000k/6000k
Guarantee	3 Years
Wattage	8W
Beam Angle	60°
Total Lumens	WW - 616lm, NW - 702lm, CW - 632lm
Colour Rendering Index	>80
IP Rating	IP65
Finish	White (Polished Chrome, Brushed Nickel & Matt Black available to purchase separate)
Cut Out Size	70mm

Choose from 3000k, 4000k or 6000k by simply choosing your preference using the integrated switch on the fitting. It is also fully dimmable from most standard wall dimmers, and also includes the power converter. The light output is equivalent to a 50W GU10 halogen lamp, but due to the latest LED technology it uses 85% less energy, helping to save money and the environment. The fitting is designed to allow loft insulation to be continuously run over the back of the fitting (IC Rated), and features a loop in - loop out clip block.

Power Converter Included



Aspen 1 Tunable LED Ceiling Light

IP44 & WITH BLUETOOTH SPEAKER



This unique ceiling light features a Bluetooth Speaker, enabling users to stream music from connected devices such as smartphones or tablets, and is also tunable white using the supplied remote control.

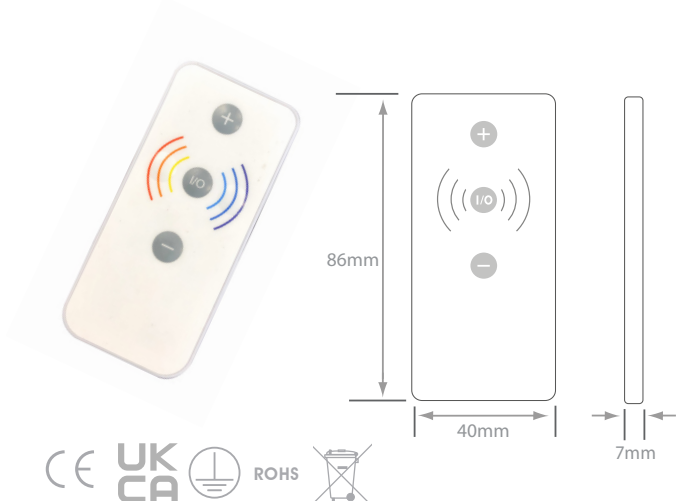
Choose the desired colour temperature to suit the installation, from warm white, to natural white and to cool white, as well as dim and switch on or off, by simply using the remote control.

This fitting also provides a uniform light output due to the edge lit feature.

IP44 Tunable LED Ceiling Light with Bluetooth Speaker

SY9012

No Power Converter Required



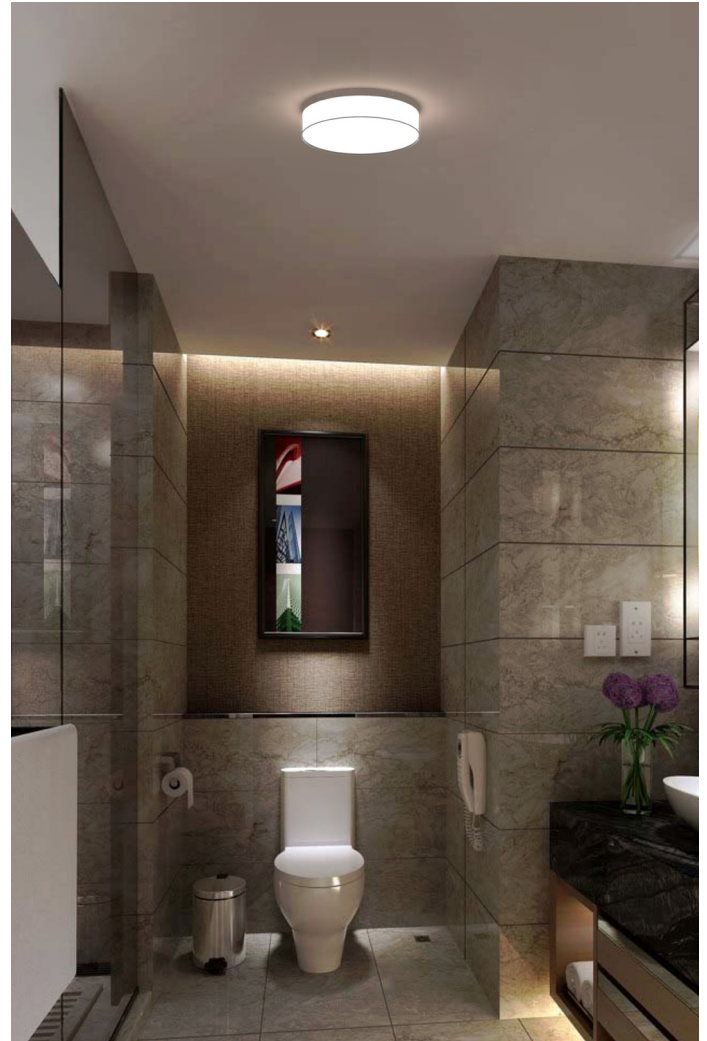
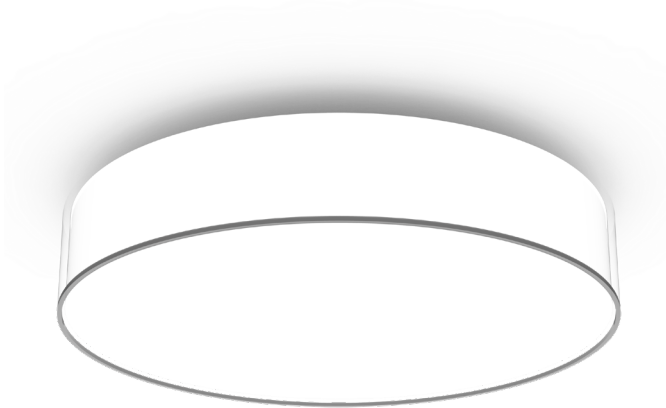
Technical Information

Power Supply	240V
Colour Appearance	Tunable White (Warm, Natural or Cool White)
Colour Temperature	Tunable 2700K/4000K/6500K
Guarantee	3 Years
Wattage	17W (+6W Bluetooth Speaker)
Total Lumens	1200lm
Colour Rendering Index	>80
IP Rating	IP44

Aspen 2 IP44 LED Ceiling Light



compatible
(Not dimmable)



IP44 LED Ceiling Light SY9010

No Power Converter Required

This IP44 rated downlight is perfect for situating in a bathroom. Available in natural white, this fitting provides a uniform light output due to the edge lit feature.

Compatible Accessories

• Kinetic Wireless Smart Controls (dimming not possible) Page 4 - 5



Technical Information

Power Supply	240V
Colour Appearance	Natural White
Colour Temperature	4000K - 4500K
Guarantee	3 Years
Wattage	17W
Total Lumens	1200lm
Colour Rendering Index	>80
IP Rating	IP44

Nova Multi

LITHIUM BATTERY LIGHT



This battery light is the newest addition to the Nova range. It is a multi-functional light that can be used in 2 different modes. Swipe mode allows the user to wave their hand in front of the sensor to turn the light on. Auto mode means the light will turn on when the user opens a door or drawer, and turn off if no movement detected.

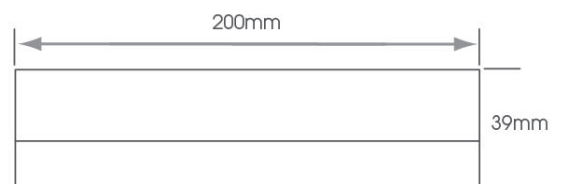
With its lightweight, magnetic design it can be retrofit into drawers or cupboards easily.

Nova Multi Functional Battery Light 200mm SY8979

No Power Converter Required

Technical Information

Finish	Aluminium
Lithium Battery	600mAh
Wattage	3W
Recharge Time	2 hours from no charge to full charge
Charging	Via USB cable (included)
Colour Appearance	Natural White
Sensor Distance	8cm
Guarantee	12 Months



Sirius Surface/Recessed LED CABINET LIGHT



compatible



The Sirius Range is at the forefront of modern technology, offering an ideal alternative to halogen lights. Designed to offer a superior light output, the Sirius offers the latest Samsung LED technology, has a diffused cover to mimic the appearance of halogen cabinet lights, and has no visible LED points. Sirius also has a 120 degree beam angle, which fills cabinets or vanity areas, and eliminates dark spots. The fitting is IP44 rated so suitable for use in a bathroom, ideal for cabinets or shelving.

Sirius LED Recessed

SY7453BN/WW or NW

SY7453CC/NW

Sirius LED Surface

SY7462BN/WW or NW

SY7462CC/NW

** Warm White only available in Brushed Nickel

Technical Information

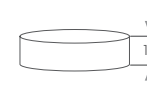
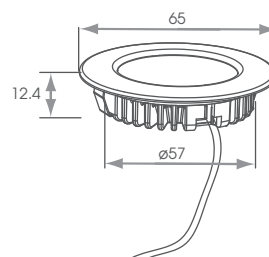
Finish	Chrome or Brushed Nickel
Power Supply	12Vdc
Cable Length	2m
Guarantee	3 Years
Colour Appearance	Warm White** or Natural White
Colour Temperature	3000K - 3500K or 4000K - 4500K
Total Lumens	WW - 140lm NW - 140lm
Colour Rendering Index	Ra 84
Wattage	2.6W
IP Rating	IP44
Beam Angle	120°

Suitable Power Converters

8W/12Vdc Power Converter	SY9980B	Runs up to 3 lights
15W/12Vdc Power Converter	SY9739B	Runs up to 5 lights
20W/12Vdc Power Converter	SY7350C	Runs up to 6 lights

Compatible Accessories

• Kinetic Wireless Smart Controls (including dimming)	Page 4 - 5
• Sensors, Switches & Dimmers	Page 19 - 20
• WiFi 4 Zone Controls (including dimming)	See website
• 2m (SY7183) or 5m (SY7183/5) Extension Cables	



Dimensions are given in mm
Cut out size if recessed = 57mm



LED Plinth Lighting



The small and discreet Verve plinth light is available with either cool or warm white LED, giving a choice to suit any particular bathroom design. The 15mm plinth lights are available in a 4 or 10 light kit, which includes the power converter. Add on lights are also available, up to a maximum of 10 lights can be run per power converter. The plinth lights are IP67 rated, making them suitable for use in a bathroom.

Technical Information

Finish	Stainless Steel
Power Supply	12Vdc
Cable Length	1.5m
Guarantee	3 Years
Colour Appearance	Warm White or Cool White
Colour Temperature	3000K - 3500K or 6000K - 6500K
Wattage	0.2W
Mounting	Recessed
IP Rating	IP67

Verve 15mm Round 4 Light Plinth Kit*

SY9936WW or CW

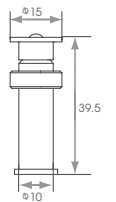
Verve 15mm Round 10 Light Plinth Kit*

SY9928A/WW or CW

Verve 15mm Round Additional Light

SY9937A/WW or CW

*Power converter included in kits



Cut out size = 10mm
Dimensions are given in mm

Compatible Accessories

• Kinetic Wireless Smart Controls (including dimming)	Page 4 - 5
• Sensors, Switches & Dimmers	Page 19 - 20
• WiFi 4 Zone Controls (including dimming)	See website



The small square plinth light is part of our Sirius collection which features a diffused cover to hide the LED points within the fitting for a sleek look. The square plinth light is surface mounted, and is easily installed using the strong adhesive back included.

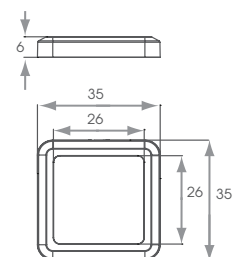
Technical Information

Finish	Stainless Steel
Power Supply	240V
Cable Length	2m
Guarantee	3 Years
Colour Appearance	Warm White or Natural White
Colour Temperature	3000 - 3500K or 4000K - 4500K
Total Lumens	WW - 70lm NW - 75lm
Colour Rendering Index	Ra 80
Wattage	1.5W
IP Rating	IP44
Mounting	Surface

Sirius Square 3 Light Plinth Kit*

SY7523WW or NW

*Power converter included in kits



Compatible Accessories

• Kinetic Wireless Smart Controls (including dimming)	Page 4 - 5
• Sensors, Switches & Dimmers	Page 19 - 20
• WiFi 4 Zone Controls (including dimming)	See website
• 2m (SY7183) or 5m (SY7183/5) Extension Cables	



Astral IP65 Flexible LED Strip

WITH VHB (VERY HIGH BOND) ADHESIVE



4W
per metre

60
LED's
per metre

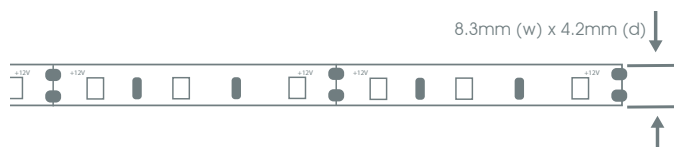
IP65

50mm
cut points

1M - SY8983WW or NW
2M - SY8984WW or NW
3M - SY8985WW or NW

- 4W/m
- IP65
- 60 LEDs per metre
- 50mm cut points
- 1.5m power lead on one end

*High output LED strip (9.6W p/m) available if required



Dimensions are given in mm

Compatible Accessories

• Kinetic Wireless Smart Controls (including dimming)	Page 4 - 5
• Sensors, Switches & Dimmers	Page 19 - 20
• WiFi 4 Zone Controls (including dimming)	See website
• 2m (SY7183) or 5m (SY7183/5) Extension Cables	



Technical Information

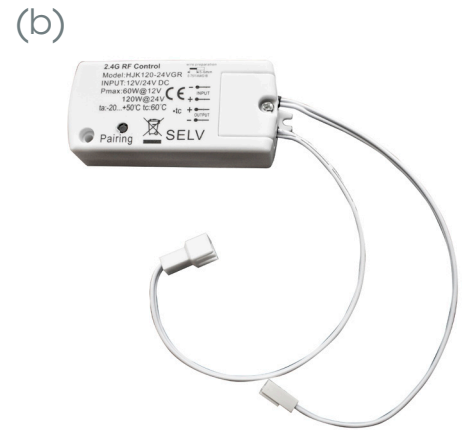
Power Supply	12Vdc
Adhesive	VHB
Cable Length	1.5m cable on one end
Guarantee	3 Years
Colour Appearance	Warm White or Natural White
Colour Temperature	3000K - 3500K or 4000K - 4500K
Colour Rendering Index	WW - Ra 85 NW - Ra 85
Wattage	4W per metre
IP Rating	IP65
Cut Marks	Every 50mm
LEDs per metre	60

Suitable Power Converters

15W/12Vdc	SY9739B	Runs up to 3M
20W/12Vdc	SY7350C	Runs up to 5M
30W/12Vdc	SY7715A	Runs up to 7M
50W/12Vdc	SY7351D	Runs up to 12M

We are pleased to offer a full range of aluminium profile for our LED strips, which provides additional benefits. When the LED strip is enclosed in a profile it provides a more professional look and finish. It can also help to maintain and prolong the life of the LED strip as it's kept clean away from dirty fingers. It also enables ease of cleaning and can be simply wiped down. Finally, an opaque diffuser can help reduce the appearance of LED 'spotting'. Please refer to our Lighting Directory or our website for the full range.

Magnetic Wireless DOOR SENSOR



This wireless magnetic door sensor switch can turn lights on and off automatically. The switch is secured to the inside of a cabinet using the adhesive back, whilst the separate magnetic contact button is placed on the inside of the door. When the door closes these two components touch, sending a signal to the sensor controller to switch the lights off. Opening the door prompts the lights to turn back on.

Up to 4 switches can be run from one controller, making it perfect for switching lights on and off within bathroom cabinets. The switch runs on two 3V button batteries which are very easy to change when required.

Technical Information

Finish	Silver
Power Supply	12/24Vdc
Cable Length	see diagram below
Max Current	8mA
Sensor Distance	5M
Wattage	12Vdc 36W 24Vdc 72W
IP Rating	IP20
Mounting	Surface
Guarantee	12 Months

Single Door Sensor Kit

SY2449/1

Kit includes 1 x (a) switch & 1 x (b) sensor controller

Double Door Sensor Kit

SY2449/2

Kit includes 2 x (a) switches & 1 x (b) sensor controller

Triple Door Sensor Kit

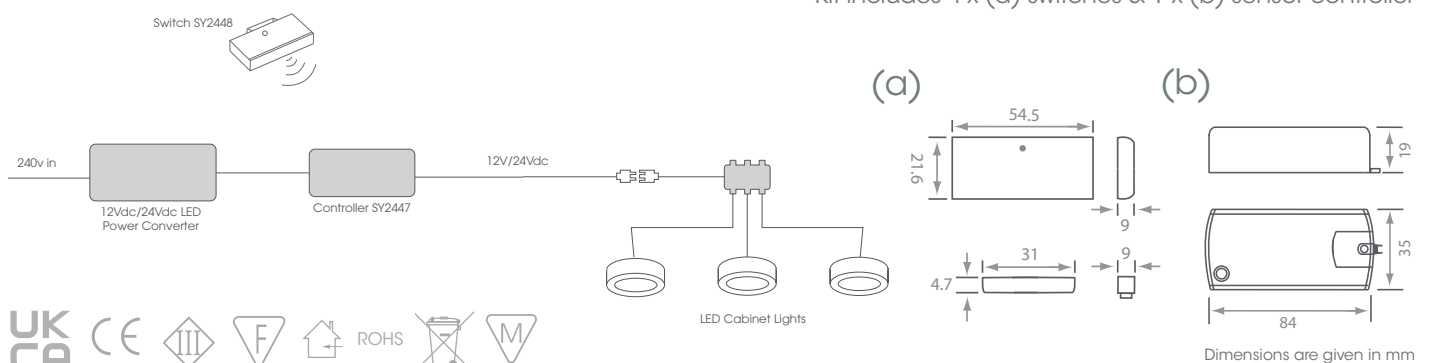
SY2449/3

Kit includes 3 x (a) switches & 1 x (b) sensor controller

Quad Door Sensor Kit

SY2449/4

Kit includes 4 x (a) switches & 1 x (b) sensor controller



Passive Infra Red

SENSOR



This sensor switch offers a discreet surface mounted or recessed solution for automatic switching of 12/24Vdc LED lighting. Connection via the Sycamore plug and play connector system allows connected lights to be turned on when it senses movement within a 3 metre distance at a 120 degree beam angle.

Unit includes connection for one light, a 12 Way Distribution Block can be purchased separately if required.

Passive Infra Red Sensor

SY8815

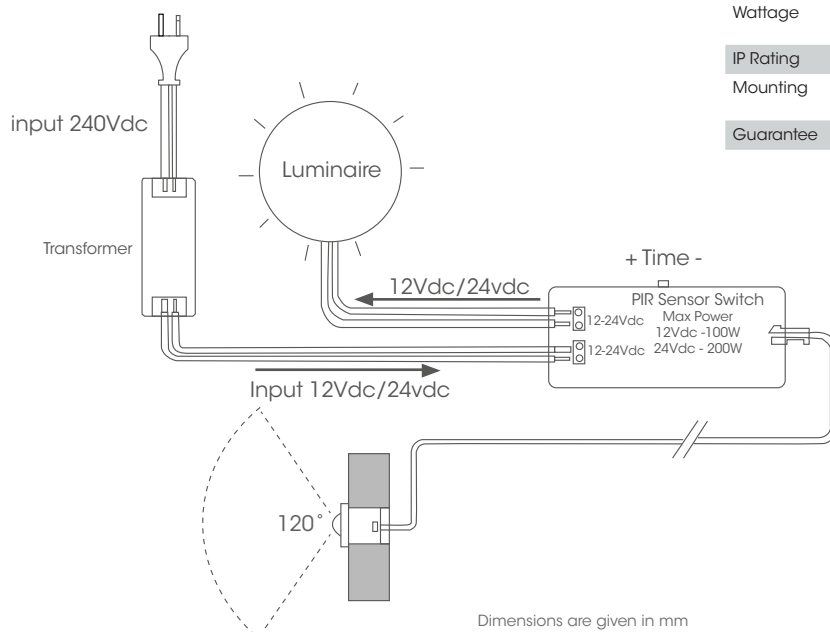
12 Way Distribution Block

SY7637



Technical Information


Finish	White
Power Supply	12/24Vdc
Cable Length	see diagram below
Max Current	10A
Sensor Distance	1 - 3M
Sensor Range	120°
Adjustable Timer	30 - 150 seconds
Wattage	12Vdc 100W 24Vdc 200W
IP Rating	IP20
Mounting	Recessed or Surface (Vertical or Horizontal)
Guarantee	12 Months






Extractor Fans

ICON 15 & 30

	Icon 15	Icon 30
		
Extract Volume	21 l/sec (76 m ³ /h)	32 l/sec (118 m ³ /h)
Sound Pressure d B (A) @ 3M	35	34.5
Impeller	Axial	Mixed centrifugal/axial
Mounting (wall/ceiling)	Recessed	Recessed and Surface
Weight (Kg)	0.74	1.11
Ductable	Up to 4m	Up to 9m
Outlet (dia)	100mm (4 inch)	100mm (4 inch)
Power (watts)	14.5	30
Voltage	230V/1PH/50Hz	230V/1PH/50Hz
Max Amb. temp	40°C	40°C
IP Rating	IPX4	IPX4

* Data above not applicable to low voltage models. Please call sales for further information

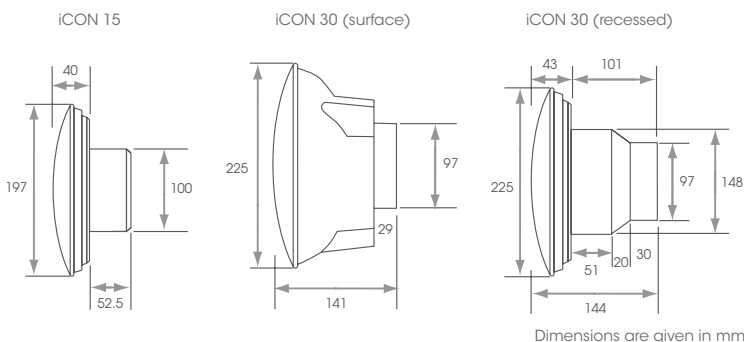
	QT100T	QT100B
		
Airflow	m ³ /h—75/90 l/s 20.8/25	m ³ /h—75/90 l/s 20.8/25
Airflow @ 31Pa	m ³ /h—60 l/s 16.6	m ³ /h—60
High Efficiency Impeller	Axial	Axial
Mounting	Wall/ceiling	Wall/ceiling
Sound pressure d B (A) @ 3m	25/30	25/30
Delay start (minutes) optional	2	No
Adjustable timer (minutes)	6,10,15,21	-
Power (watts)	5/9	5/9
SFP @ 20.8 (w/l/s)	0.24	0.24
Voltage	230/1/50-60Hz	230/1/50-60Hz
IP Rating	IP45	IP45
Max Amb. temp	40°C	40°C
Interval timer, auto start (hours)	0,8,12,24	-

The Icon 15 is ideal for situating in smaller applications, such as toilets, en-suites, shower rooms and small bathrooms. Recessed into the wall or ceiling, it is stylish and unobtrusive, even in the smallest space.

Icon 30 is quiet, powerful and designed for recessed or surface mounting in walls or ceilings in larger toilets, bathrooms and utility rooms.

The Icon 30S Low Voltage fan is ideal for locating within a shower cubicle or above a shower head.

- iCON 15 Extractor Fan
 - iCON 30 Extractor Fan
 - PCM Module - Pull Cord
 - TM Module - Adjustable Timer
 - HTM Module - Adjustable Humidity/Pull Cord/Timer
 - PRTM Module - Passive Infrared/Timer
 - PRHTM Module - Passive Infrared/Humidity/Timer
 - iCON 15 - Chrome Cover
 - iCON 15 - Anthracite Cover
 - iCON 15 - Silver Cover
 - iCON 15 - Sandstone Cover
 - iCON 30 - Anthracite Cover
 - iCON 30 - Silver Cover
 - iCON 30 - Sandstone
 - Venting Kit - Cavity Wall Kit
 - Venting Kit - Flexible Duct Kit
 - iCON 30S Low Voltage Extractor fan*
 - Pull Cord Module for Low Voltage Fan*
- SY7070
 - SY7101
 - SY7071
 - SY7072
 - SY7094
 - SY7095
 - SY7096
 - SY7097CC
 - SY7097ANTH
 - SY7097SIL
 - SY7097SAND
 - SY7098ANTH
 - SY7098SIL
 - SY7098SAND
 - SY7099
 - SY7100
 - SY7079
 - SY7080

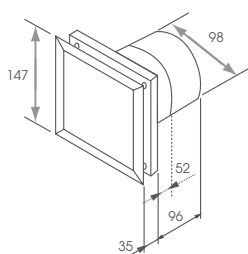


QUIETAIR

QuietAir combines contemporary design with ultra low noise levels and outstanding energy efficiency. QuietAir sets new standards for the reliable, low cost ventilation. Suitable for toilets, en-suites and bathrooms; and at just 25dB(A) you will hardly hear the fan running, even at night!

- QuietAir QT 100B
 - QuietAir QT 100T
 - Venting Kit - Cavity Wall Kit
 - Venting Kit - Flexible Duct Kit
- SY7073
 - SY7074
 - SY7099
 - SY7100

Dimensions are given in mm



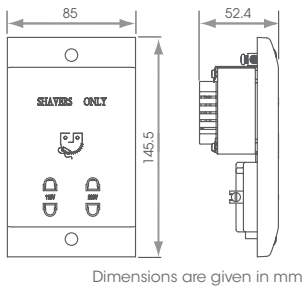
Dual Voltage SHAVER SOCKETS

Our Dual Voltage shaver sockets are available in a choice of chrome plated finish with a sloped edge, or white finish with square edges.



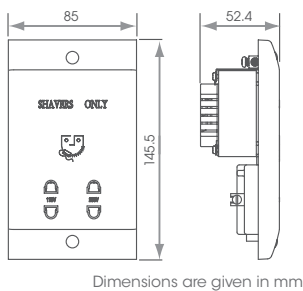
Dual Voltage Shaver Socket 240/110V Chrome SY9660CC

This shaver socket is suitable for use in bathrooms as required by IEE wiring regulations BS7671: 2001 Section 601



Dual Voltage Shaver Socket 240/110V White SY9258

This shaver socket is suitable for use in bathrooms as required by IEE wiring regulations BS7671: 2001 Section 601



Bathroom Regulations

All installations must comply to guidelines based on the zonal requirements. These regulations apply to domestic installations only.

SycamoreLED.com recommends that all electrical work carried out is done by a suitably qualified electrician in accordance with the current IET wiring regulations (18th edition).

Bathroom lights are classified using an IP (Ingress Protection) rating. The IP characters are followed by 2 numbers which refer to the level of protection against the ingress of foreign bodies (1st number) and protection against the ingress of liquids (2nd number).

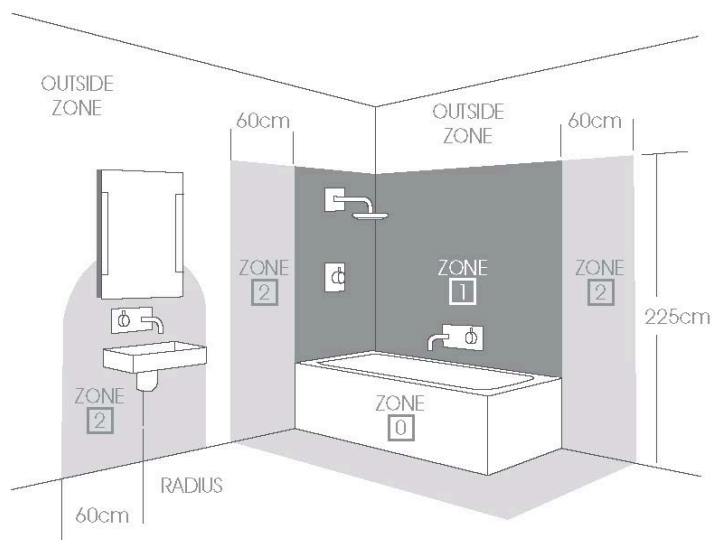
Zone 0 - is inside the bath or shower. Any fitting used in this zone must be low voltage (max 12v) and be rated at least IP67 (immersion proof).

Zone 1 - is an area above the bath to a height of 2.25m from the floor. In this zone a minimum rating of IPX4 is required.

Zone 2 - is an area stretching 0.6m outside the perimeter of the bath and to a height of 2.25m from the floor. In this zone a minimum of IPX4 is required. Around a wash basin, a radius within 60cm is considered as zone 2.

Outside zones - has no special requirements unless water jets are likely to be used for cleaning purposes.

All zones - any electrical circuits in a bathroom must be protected by a 30 mA Residual Current Device (RCD). Electrical equipment exposed to water jets for cleaning purposes must be at least IPX5.



First digit - Solids

0	1	2	3	4	5	6
No protection	Protected against touch by hand (50mm)	Protected against touch by fingers (12mm)	Protected against tools and wires (2.5mm)	Protected against tools and small wires (1mm)	Limited dust ingress protection	Total dust ingress protection

Second digit - Liquids

0	1	2	3	4	5	6	7	8
No protection	Protection against condensation	Protection against water spray 15 degree from the vertical	Protection against water spray 60 degree from the vertical	Protection against water spray from any direction	Protection against low pressure water jets from any direction	Protection against high pressure water jets from any direction	Protection against immersion between 15cm and 1m depth	Protection against long term immersion under pressure

Looking for further assistance?

Please call our dedicated technical team for help with bathroom regulations, lighting plans or any other technical queries

T: 0113 2866686 or email tech@sycamoreLED.com

SycamoreLED.com

Unit 6 Astley Lane Industrial Estate
Swillington
Leeds
West Yorkshire
LS26 8XT

www.sycamoreLED.com

Tel: +44 (0)113 286 6686

sales@sycamoreLED.com

tech@sycamoreLED.com