



SUSTAINABILITY
MATTERS.

sycamoreLED.com



BATHROOM LIGHTING / 2022

WELCOME TO OUR NEW BATHROOM LIGHTING CATALOGUE FOR 2022

Sycamore Lighting has been at the forefront of lighting innovation since 1998. Our dedication to quality has resulted in sustained growth by offering a diverse range of lighting and the very latest in technology. Major investment in new technologies and personnel, together with state of the art testing and training facilities has enabled us to cross over into different market sectors, whilst also retaining our reputation as a major supplier of lighting and control systems to the KBB markets throughout the UK and Europe.

Our Bathroom range for 2022 features a stunning new collection of LED illuminated mirrors & mirror cabinets. All of our mirrors and cabinets are tunable white, enabling users to change the colour of the LED from warm white, natural white or to cool white to suit individual preference or decor. Some also feature Bluetooth Speakers, Shaver Sockets or USB charging ports.

We also have a comprehensive collection of LED lighting and lighting control systems for the kitchen & bedroom, please contact our sales department on sales@sycamoreLED.com or 0113 286 6686 to request a copy.

SUSTAINABILITY MATTERS

At Sycamore Lighting, we understand the need for sustainable products and practices to meet the needs of our current customers & stakeholders, without compromising the ability of future generations to meet their own needs.



SUSTAINABLE PRODUCT RANGE

We have been offering a 100% LED lighting range since 2017, after phasing out our range of inefficient halogen products in favour of new and innovative LED lighting solutions that were not only affordable, but stylish & efficient too. The amount of power used by an LED light source is significantly lower than a halogen lamp, for example, a halogen capsule could be 20W rated, whereas an LED cabinet light can be as low as 1.8W (e.g our Rimini LED cabinet light). Similarly, a standard GU10 halogen ceiling lamp can use up to 50W of power, and by switching to LED this can be reduced to as low as 5W.

SUSTAINABLE OPERATIONS

We are taking steps to reduce our carbon footprint, by using fully electric or hybrid vehicles, energy from a renewable source to power our headquarters, and re-designing packaged products to reduce plastic or cardboard.

5 YEAR GUARANTEE

All of our LED Lighting including our mirrors and mirror cabinets are covered by a 5 year warranty for your peace of mind. This excludes battery operated lighting, accessories and power ports.

THE FUTURE AT SYCAMORE

Sustainability matters to us, and throughout the next two years we plan to conduct a full audit and implement a reporting system of our operating practices. This will further identify where we can improve, with a view to becoming net zero throughout our operations and supply chain by 2030, to help save our planet for future generations.

To read our full Sustainability Matters promise, please visit our website.

NOUVEAU
NOIR



BALMORAL SINGLE



TUNABLE LED MIRROR CABINET WITH BLUETOOTH SPEAKER,
SHAVER SOCKET, USB CHARGING & DEMISTER

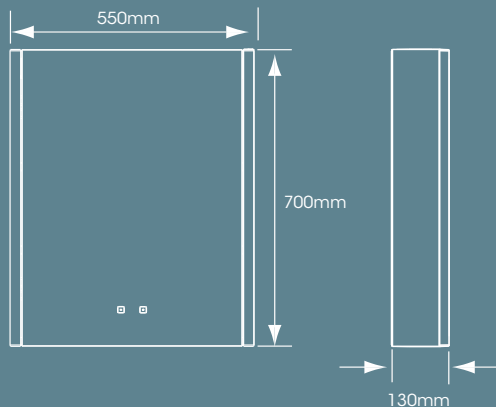
SY9046/SINGLE











This stunning single door illuminated LED Mirror cabinet is part of our Nouveau Noir range of matt black light fittings and accessories, and features a whole host of features. Complete with Bluetooth Speaker, a USB charging port and a built-in shaver socket, the single door Balmoral covers all requirements.

Internally, the Balmoral has a stylish matt black design, with a mirrored panel on the inside of the door and at the rear of the cabinet, along with two adjustable height glass shelves for storing bathroom accessories. Externally, the cabinet has mirrored panels to both sides, as well as both under and over cabinet illumination for a sleek look.

The diffused illuminated border to the front of the cabinet provides a uniform light output with no dark spots. The Tunable function enables users to choose the most suitable colour temperature for their décor or individual preference, warm white, natural white or cool white. It can also be dimmed to create the desired ambience.

The mirror stays fog free due to the built-in demister pad, which switches off automatically after 30 minutes. The mirror also has an IP44 rating making it suitable for use in a bathroom environment.



-  SINGLE CABINET 550mm(w) x 700mm(h)
-  Bluetooth Speaker
-  Shaver Socket
-  USB Charging Points
-  IP44 Rated
-  DIFFUSED BORDER Diffused Border, Under & over Cabinet Lighting
-  Touch Sensor x 2
-  TUNABLE Tunable White
-  DIMMABLE Dimmable
-  DEMISTER Demister

Technical Information

Power Supply	240V
Cable Length	900mm
Guarantee	5 Years



NOUVEAU
NOIR



BALMORAL DOUBLE



TUNABLE LED MIRROR CABINET WITH BLUETOOTH SPEAKER,
SHAVER SOCKET, USB CHARGING & DEMISTER

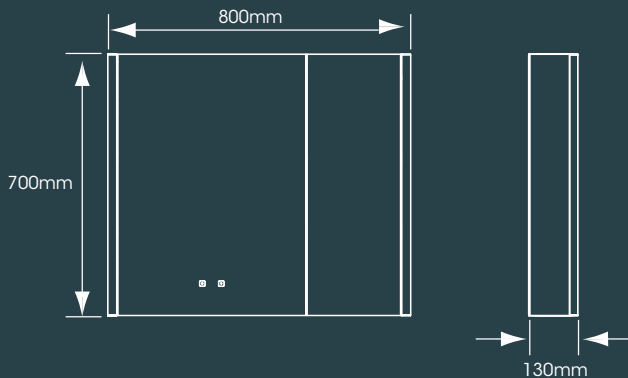
SY9046/DOUBLE

This double door illuminated LED Mirror cabinet is part of our stunning Nouveau Noir range of matt black light fittings and accessories, and features a whole host of features. Complete with Bluetooth Speaker, a USB charging port and a built in shaver socket, the double door Balmoral covers all requirements.

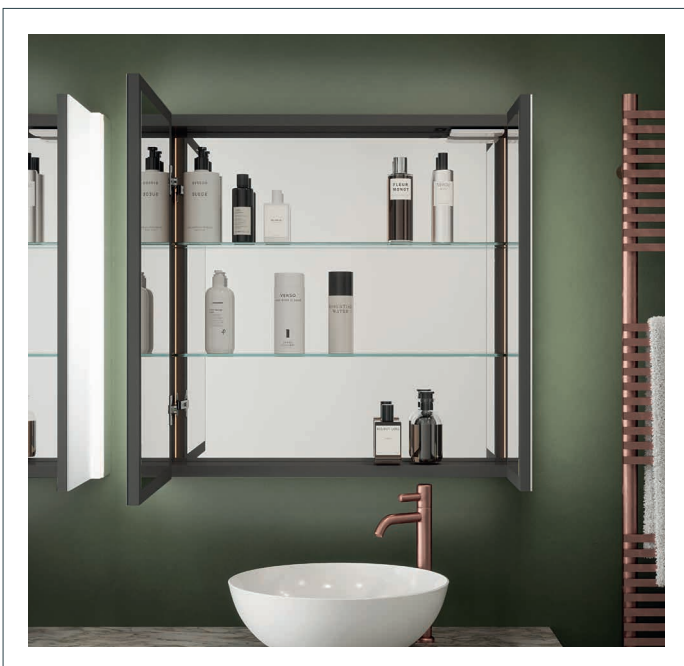
Internally, the Balmoral has a stylish matt black design, with a mirrored panel on the inside of the door and at the rear of the cabinet, along with two adjustable height glass shelves for storing a huge amount of bathroom accessories. Externally, the cabinet has mirrored panels to both sides, as well as both under and over cabinet illumination for a sleek look.

The diffused illuminated border to the front of the cabinet provides a uniform light output with no dark spots. The Tunable function enables users to choose the most suitable colour temperature for their décor or individual preference, warm white, natural white or cool white. It can also be dimmed to create the desired ambience.

The mirror stays fog free due to the built-in demister pad, which switches off automatically after 30 minutes. The mirror also has an IP44 rating making it suitable for use in a bathroom environment.



DOUBLE CABINET	800mm(w) x 700mm(h)
	Bluetooth Speaker
	Shaver Socket
	USB Charging Points
IP44	IP44 Rated
	Diffused Border, Under & over Cabinet Lighting
	Touch Sensor x 2
	Tunable White
	Dimmable
	Demister
Technical Information	
Power Supply	240V
Cable Length	900mm
Guarantee	5 Years





ATHENA

TUNABLE LED MIRROR CABINET WITH SHAVER SOCKET & DEMISTER

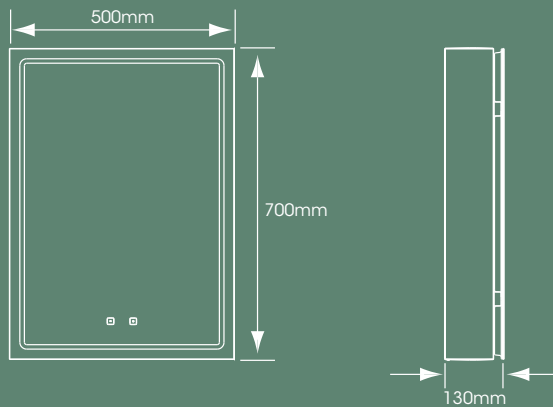


SY9035

The Athena single door illuminated LED Mirror cabinet features a built in shaver socket, & three adjustable height glass shelves within the cabinet to store bathroom accessories. A further mirrored panel is situated on the internal side of the door. Externally, the cabinet has mirrored panels to either side for a sleek look.

The stylish diffused illuminated border to the front of the cabinet provides a uniform light output with no dark spots. The Tunable function enables users to choose the most suitable colour temperature for their décor or individual preference, warm white, natural white or cool white. It can also be dimmed to create the desired ambience.

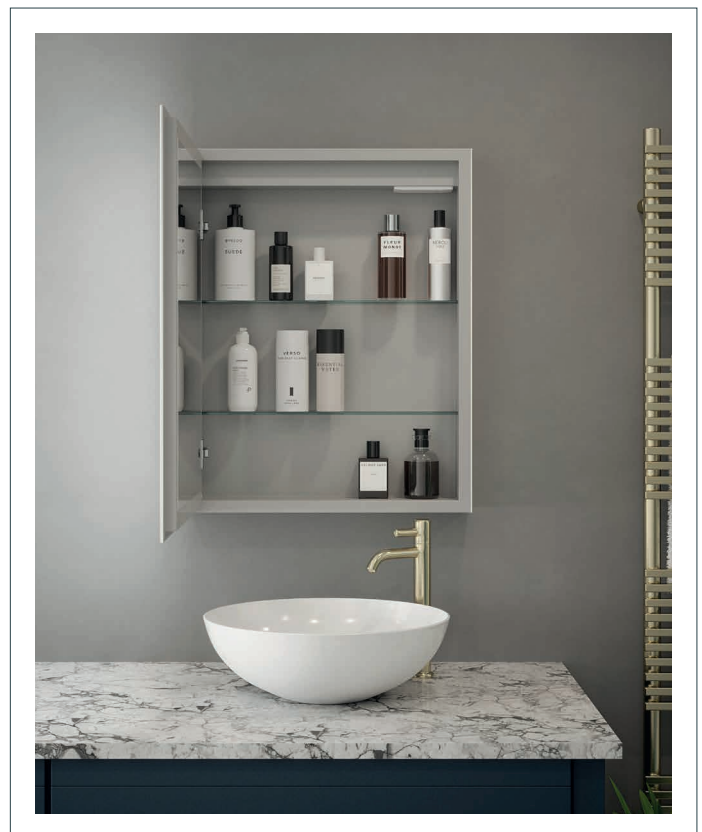
The mirror stays fog free due to the built-in demister pad, which switches off automatically after 30 minutes. The mirror also has an IP44 rating making it suitable for use in a bathroom environment.



- SINGLE CABINET 500mm(w) x 700mm(h)
- Shaver Socket
- IP44 Rated
- Diffused Border
- Touch Sensor x 2
- Tunable White
- Dimmable
- Demister

Technical Information

Power Supply	240V
Cable Length	900mm
Guarantee	5 Years



Natural White 4000K



HAMILTON

TUNABLE LED MIRROR

WITH BLUETOOTH SPEAKER & DEMISTER

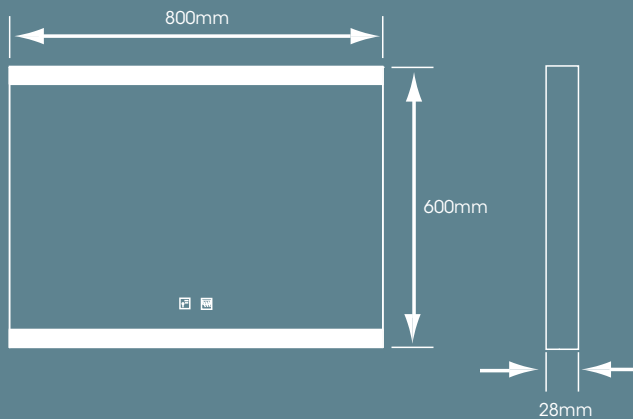


SY9015/SPEAKER

The Hamilton LED Mirror features built in dual channel Bluetooth Speakers, which enable users to stream from connected devices, such as smartphones or tablets.

It also features a diffused illuminated border, which provides a uniform light output with no dark spots. The Tunable function enables users to choose the most suitable colour temperature for their décor or individual preference; warm white, natural white or cool white. It can also be dimmed to create the desired ambience.

The mirror stays fog free due to the built-in demister pad, which switches off automatically after 30 minutes. The mirror also has an IP44 rating making it suitable for use in a bathroom environment.



LANDSCAPE 800mm(w) x 600mm(h)



Bluetooth Speakers



IP44 Rated



Diffused Border



Touch Sensor x 2



Tunable White



Dimmable



Demister

Technical Information

Power Supply 240V

Cable Length 300mm

Guarantee 5 Years

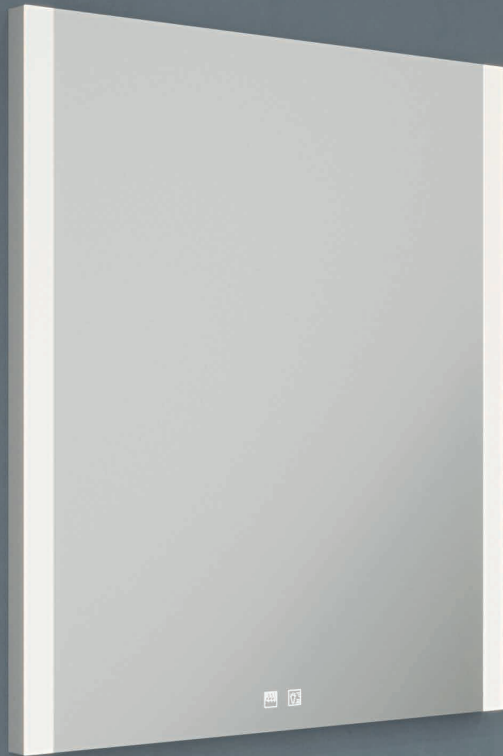
Warm White 2700K



Cool White 6500K



Natural White 4000K



WINDSOR

TUNABLE LED MIRROR

WITH BLUETOOTH SPEAKER & DEMISTER

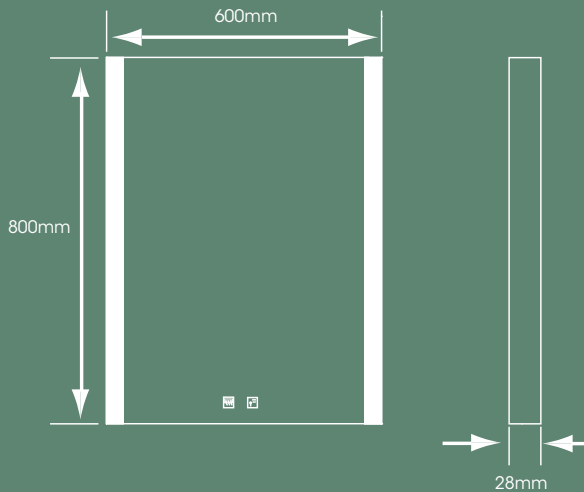


SY9016/SPEAKER

The Windsor LED Mirror features built in dual channel Bluetooth Speakers, which enable users to stream from connected devices, such as smartphones or tablets.

It also features a diffused illuminated border, which provides a uniform light output with no dark spots. The Tunable function enables users to choose the most suitable colour temperature for their décor or individual preference; warm white, natural white or cool white. It can also be dimmed to create the desired ambience.

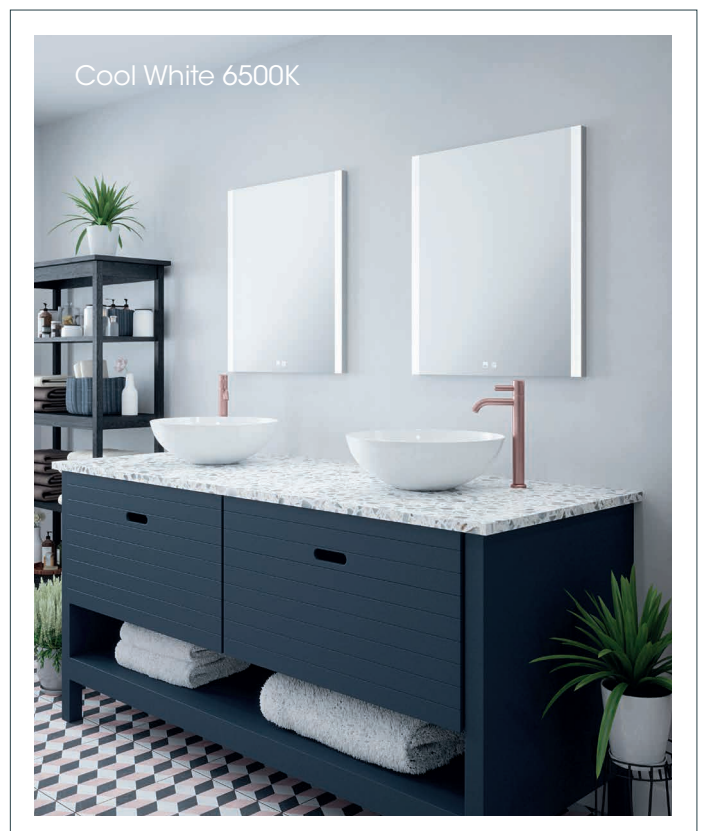
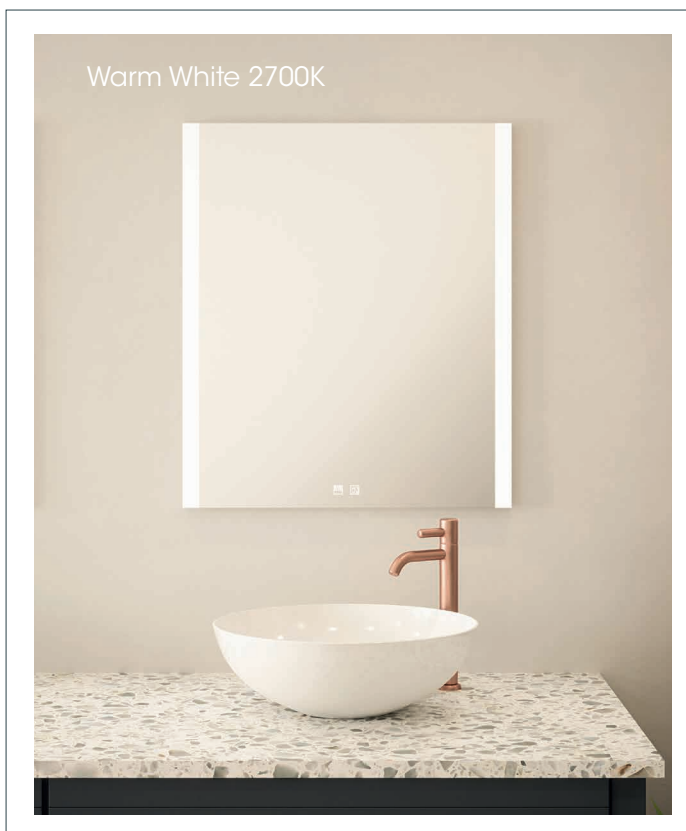
The mirror stays fog free due to the built-in demister pad, which switches off automatically after 30 minutes. The mirror also has an IP44 rating making it suitable for use in a bathroom environment.



- 600mm(w) x 800mm(h)
- Bluetooth Speakers
- IP44 Rated
- Diffused Border
- Touch Sensor x 2
- Tunable White
- Dimmable
- Demister

Technical Information

Power Supply	240V
Cable Length	300mm
Guarantee	5 Years



Natural White 4000K



WINDSOR 2

TUNABLE LED MIRROR

WITH BLUETOOTH SPEAKER & DEMISTER

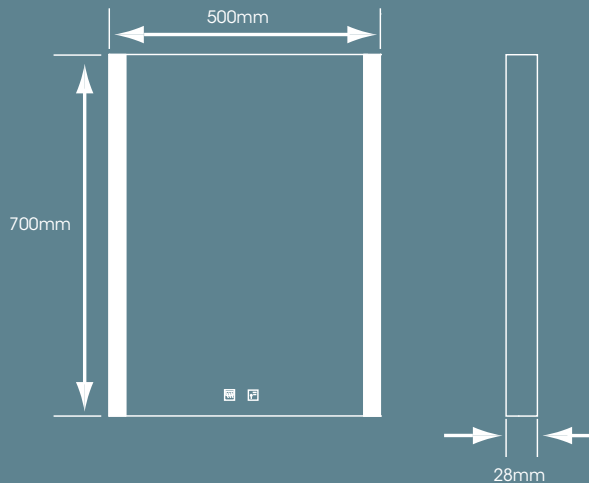


SY9049/SPEAKER

The smaller-sized Windsor 2 LED Mirror features built in dual channel Bluetooth Speakers, which enable users to stream from connected devices, such as smartphones or tablets.

It also features a diffused illuminated border, which provides a uniform light output with no dark spots. The Tunable function enables users to choose the most suitable colour temperature for their décor or individual preference; warm white, natural white or cool white. It can also be dimmed to create the desired ambience.

The mirror stays fog free due to the built-in demister pad, which switches off automatically after 30 minutes. The mirror also has an IP44 rating making it suitable for use in a bathroom environment.



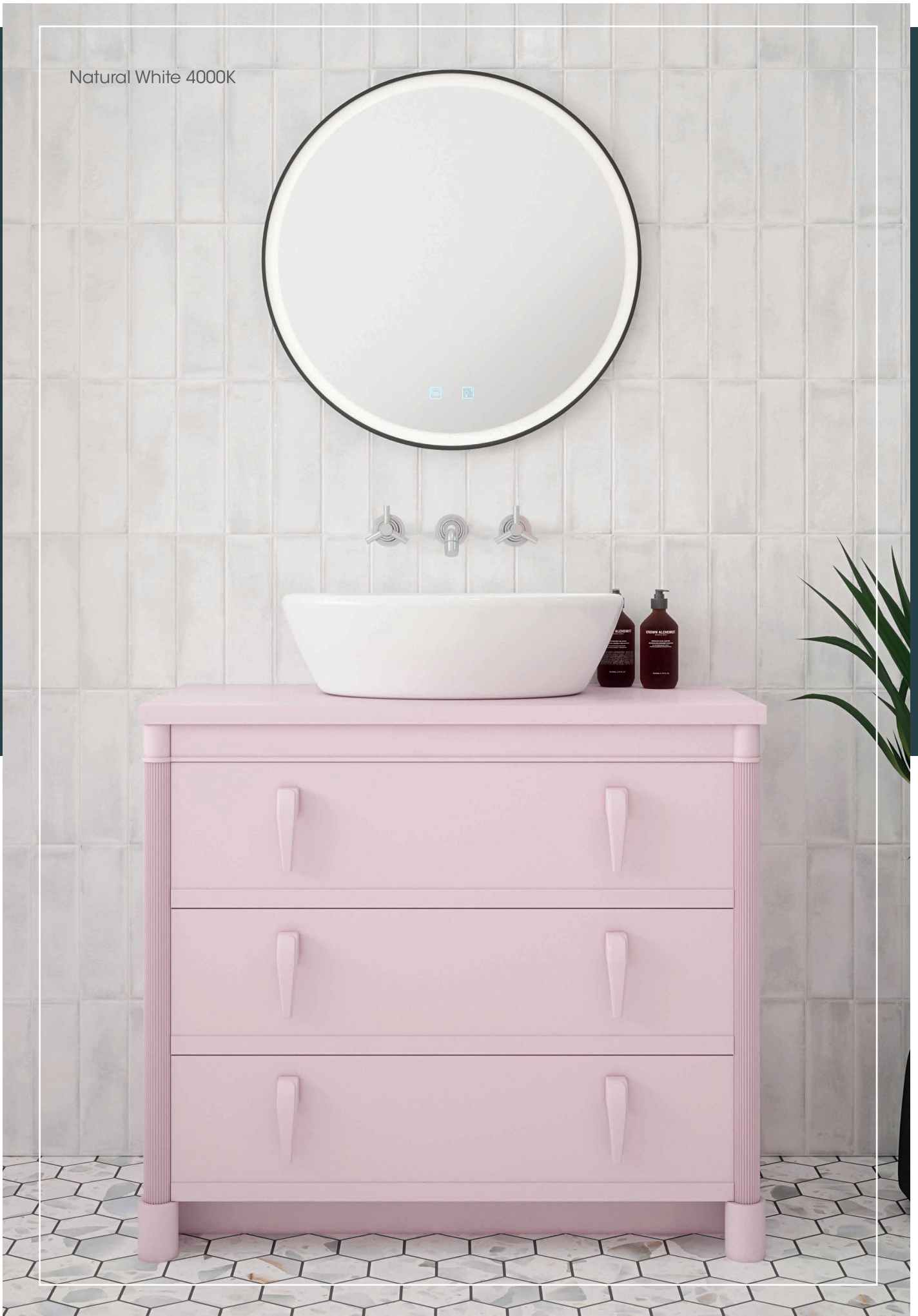
- 500mm(w) x 700mm(h)
- Bluetooth Speakers
- IP44 Rated
- Diffused Border
- Touch Sensor x 2
- Tunable White
- Dimmable
- Demister

Technical Information

Power Supply	240V
Cable Length	300mm
Guarantee	5 Years



Natural White 4000K



GEORGIA



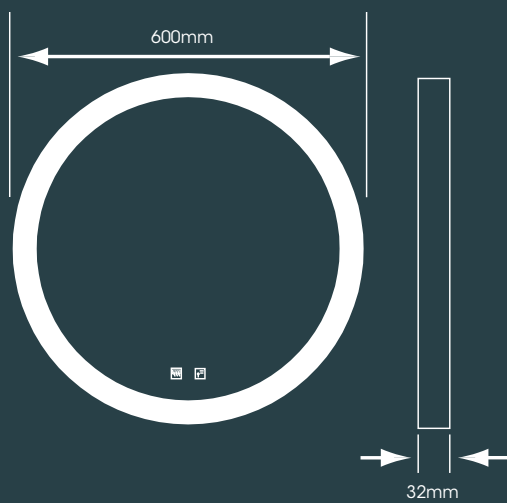
TUNABLE LED MIRROR WITH DEMISTER & BLACK TRIM

SY9034

The on-trend Georgia LED Mirror features a sleek black trim, and a diffused illuminated border to the face of the mirror, which provides a uniform light output with no dark spots.

The Tunable function enables users to choose the most suitable colour temperature for their décor or individual preference, warm white, natural white or cool white. It can also be dimmed to create the desired ambience.

The mirror stays fog free due to the built-in demister pad, which switches off automatically after 30 minutes. The mirror also has an IP44 rating making it suitable for use in a bathroom environment.



- ROUND 600mm(dia)
- IP44 Rated
- Diffused Border
- Touch Sensor x 2
- Tunable White
- Dimmable
- Demister

Technical Information

Power Supply	240V
Cable Length	300mm
Guarantee	5 Years



Natural White 4000K



LANGLEY

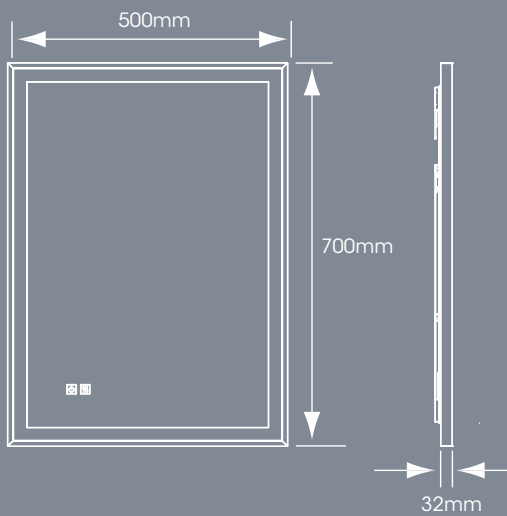
TUNABLE LED MIRROR WITH DEMISTER & BLACK TRIM








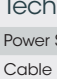
SY9033

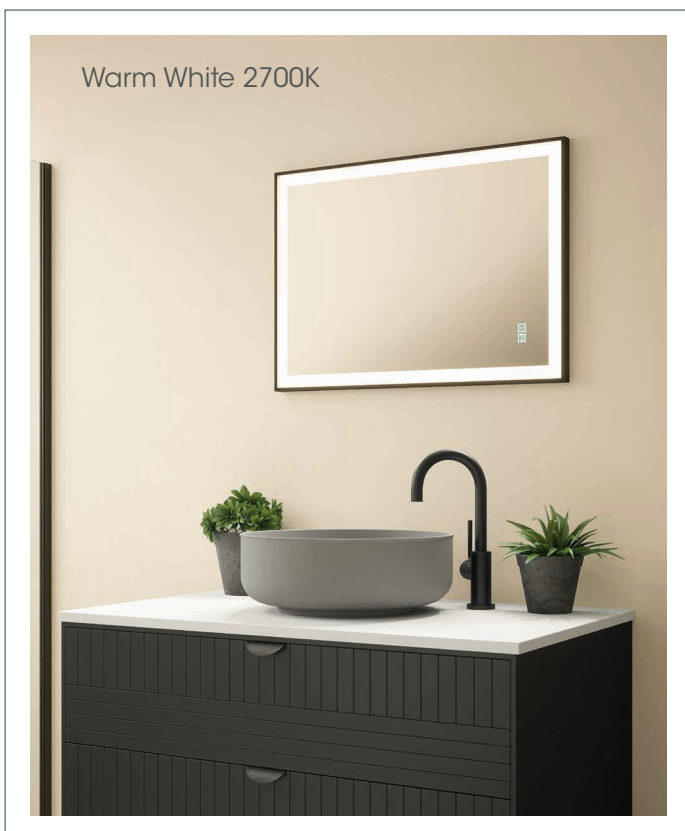
The Langley LED Mirror features a stylish black trim, and a diffused illuminated border to the face of the mirror, which provides a uniform light output with no dark spots. The Langley can be situated portrait or landscape.

The Tunable function enables users to choose the most suitable colour temperature for their décor or individual preference, warm white, natural white or cool white. It can also be dimmed to create the desired ambience.

The mirror stays fog free due to the built-in demister pad, which switches off automatically after 30 minutes. The mirror also has an IP44 rating making it suitable for use in a bathroom environment.



	500mm(w) x 700mm(h)
	700mm(w) x 500mm(h)
	IP44 Rated
	Diffused Border
	Touch Sensor x 2
	Tunable White
	Dimmable
	Demister
Technical Information	
Power Supply	240V
Cable Length	900mm
Guarantee	5 Years



Natural White 4000K



HALIFAX

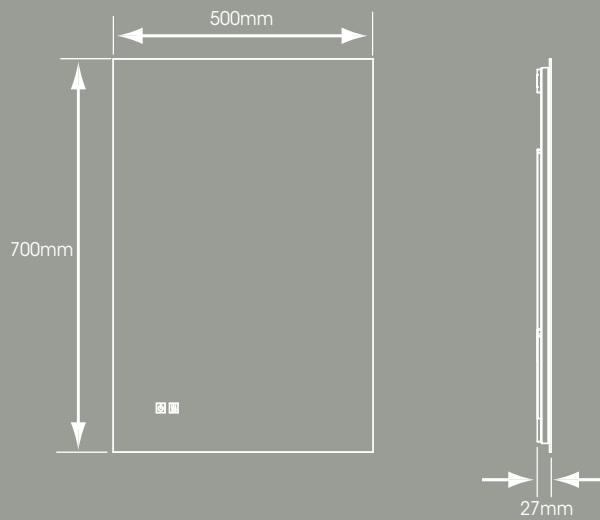
TUNABLE LED MIRROR WITH DEMISTER

SY9029

The Halifax LED Mirror features a diffused illuminated border to the rear of the mirror, which provides a uniform light output behind the mirror with no dark spots. The Halifax can be situated portrait or landscape.

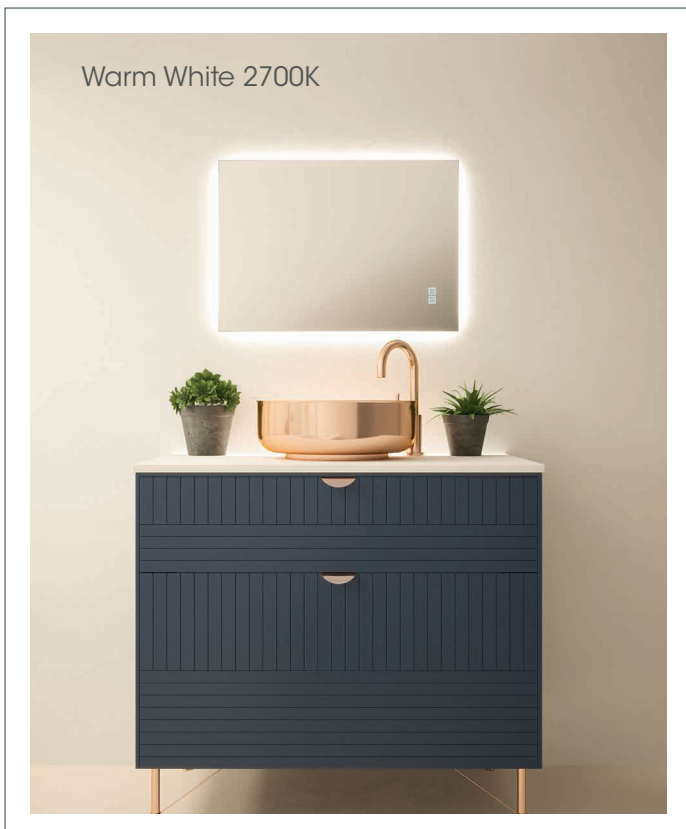
The Tunable function enables users to choose the most suitable colour temperature for their décor or individual preference, warm white, natural white or cool white. It can also be dimmed to create the desired ambience.

The mirror stays fog free due to the built-in demister pad, which switches off automatically after 30 minutes. The mirror also has an IP44 rating making it suitable for use in a bathroom environment.



	500mm(w) x 700mm(h)
	700mm(w) x 500mm(h)
	IP44 Rated
	Diffused Back-lit Border
	Touch Sensor x 2
	Tunable White
	Dimmable
	Demister

Technical Information	
Power Supply	240V
Cable Length	900mm
Guarantee	5 Years



Natural White 4000K



SATURN 1

CE UKCA ROHS

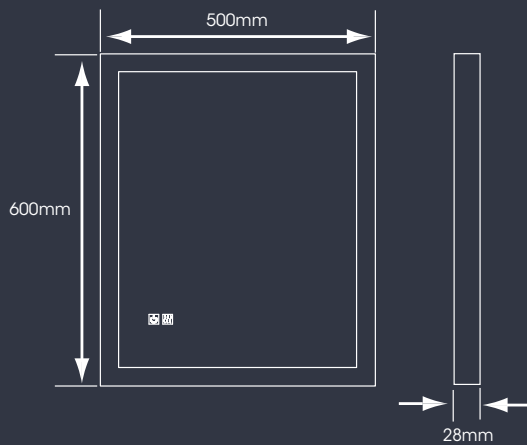
TUNABLE LED MIRROR WITH DEMISTER

SY9030

The Saturn 1 LED Mirror features a diffused illuminated border to all edges of the mirror, which provides a uniform light output with no dark spots. This mirror can be positioned portrait or landscape to suit.

The Tunable function enables users to choose the most suitable colour temperature for their décor or individual preference, warm white, natural white or cool white. It can also be dimmed to create the desired ambience.

The mirror stays fog free due to the built-in demister pad, which switches off automatically after 30 minutes. The mirror also has an IP44 rating making it suitable for use in a bathroom environment.



PORTRAIT 500mm(w) x 600mm(h)

LANDSCAPE 600mm(w) x 500mm(h)

IP44 IP44 Rated

DIFFUSED BORDER Diffused Border

TOUCH SENSOR x 2 Touch Sensor x 2

TUNABLE Tunable White

DIMMABLE Dimmable

DEMISTER Demister

Technical Information

Power Supply 240V

Cable Length 900mm

Guarantee 5 Years

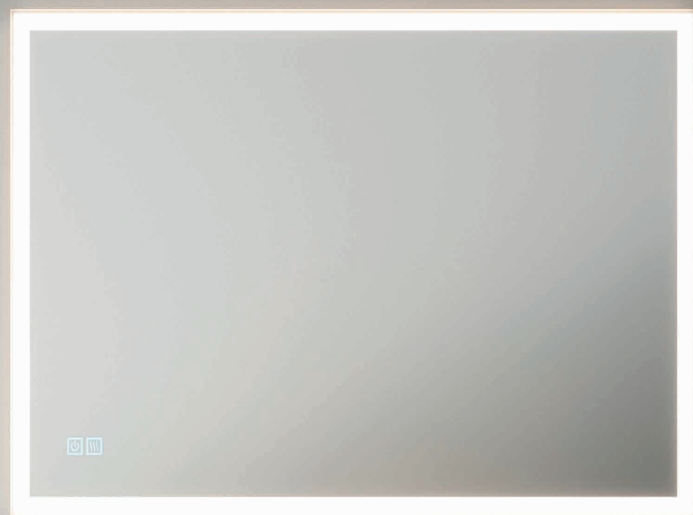
Warm White 2700K



Cool White 6500K



Natural White 4000K



SATURN 2

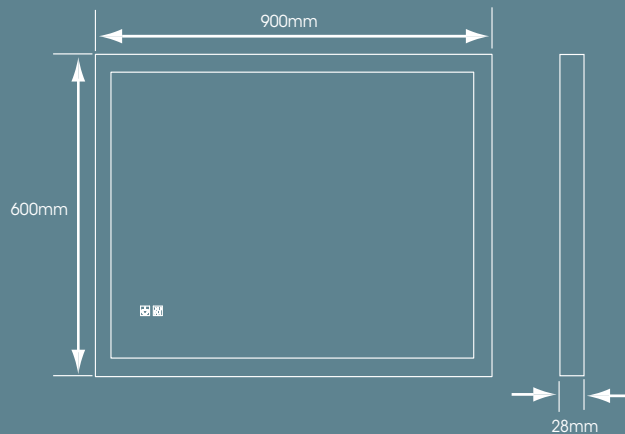
TUNABLE LED MIRROR WITH DEMISTER

SY9031

The Saturn 2 LED Mirror features a diffused illuminated border to all edges of the mirror, which provides a uniform light output with no dark spots. This mirror can be positioned portrait or landscape.

The Tunable function enables users to choose the most suitable colour temperature for their décor or individual preference, warm white, natural white or cool white. It can also be dimmed to create the desired ambience.

The built in demister pad ensures a fog free mirror, and has an IP44 rating making it suitable for use in a bathroom environment.



LANDSCAPE 900mm(w) x 600mm(h)

PORTRAIT 600mm(w) x 900mm(h)

IP44 IP44 Rated

DIFFUSED BORDER Diffused Border

Touch Sensor x 2

TUNABLE Tunable White

DIMMABLE Dimmable

Demister

Technical Information

Power Supply 240V

Cable Length 900mm

Guarantee 5 Years



Natural White 4000K



SATURN 3



TUNABLE LED MIRROR WITH DEMISTER

SY9032

The Saturn 3 LED Mirror features a diffused illuminated border to all edges of the mirror, which provides a uniform light output with no dark spots. The Saturn 3 is ideal for situating landscape over a larger unit or a double basin, but can also be positioned portrait if required.

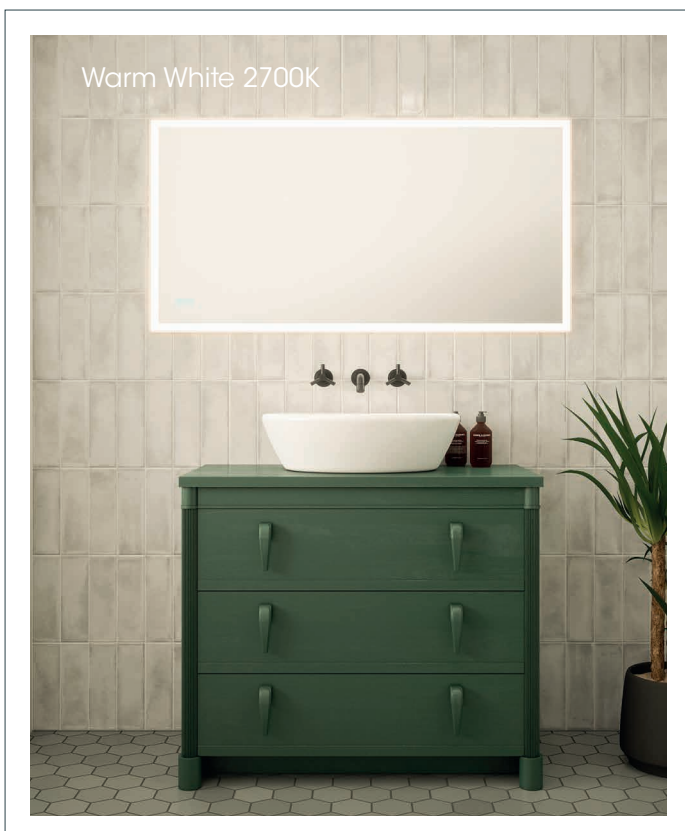
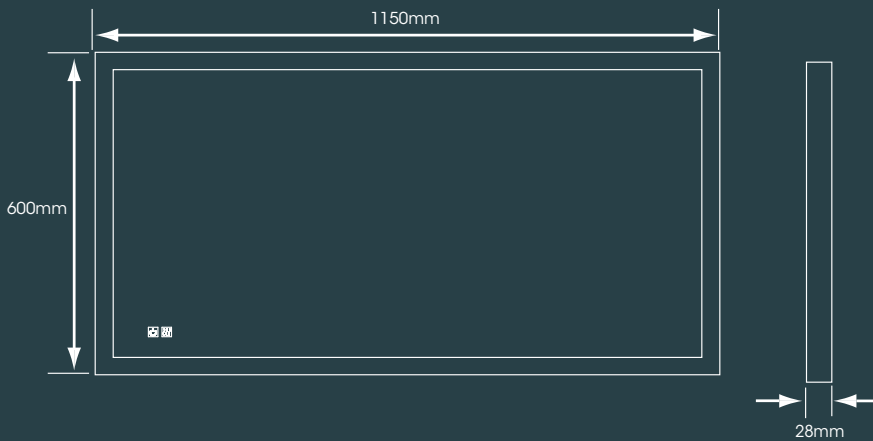
The Tunable function enables users to choose the most suitable colour temperature for their décor or individual preference, warm white, natural white or cool white. It can also be dimmed to create the desired ambience.

The mirror stays fog free due to the built-in demister pad, which switches off automatically after 30 minutes. The mirror also has an IP44 rating making it suitable for use in a bathroom environment.

- LANDSCAPE** 1150mm(w) x 600mm(h)
- PORTRAIT** 600mm(w) x 1150mm(h)
- IP44** IP44 Rated
- DIFFUSED BORDER** Diffused Border
- TOUCH SENSOR** Touch Sensor x 2
- TUNABLE** Tunable White
- DIMMABLE** Dimmable
- DEMISTER** Demister

Technical Information

Power Supply	240V
Cable Length	900mm
Guarantee	5 Years



Natural White 4000K



KINGSBURY



TUNABLE LED MIRROR WITH SHAVER SOCKET & DEMISTER

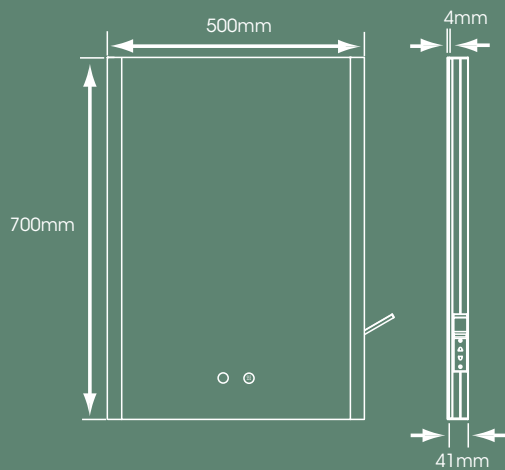
SY9048

This LED Mirror features a diffused illuminated border to the left and right of the mirror, which provides a uniform light output with no dark spots.

The Tunable function enables users to choose the most suitable colour temperature for their décor or individual preference, warm white, natural white or cool white. It can also be dimmed to create the desired ambience.

The mirror stays fog free due to the built-in demister pad, which switches off automatically after 30 minutes. The mirror also has an IP44 rating making it suitable for use in a bathroom environment.

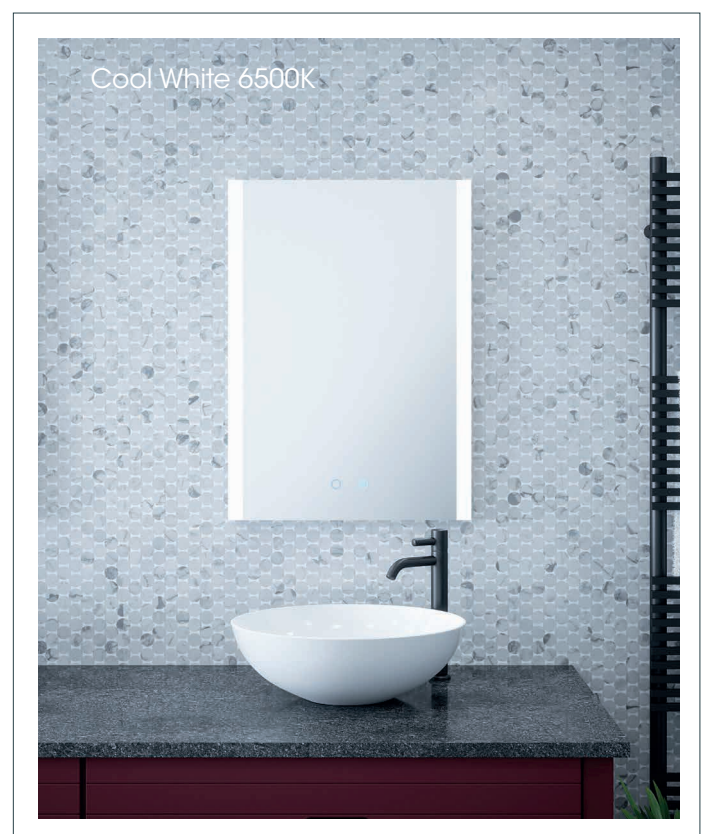
The Kingsbury also features a built-in Shaver Socket.



- 500mm(w) x 700mm(h)
- Shaver Socket
- IP44 Rated
- Diffused Border
- Touch Sensor x 2
- Tunable White
- Dimmable
- Demister

Technical Information

Power Supply	240V
Cable Length	300mm
Guarantee	5 Years



Natural White 4000K



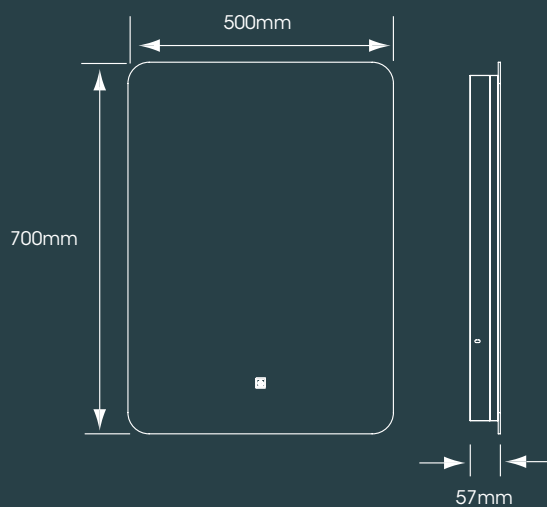
TUNABLE LED MIRROR WITH SHAVER SOCKET & DEMISTER









SY9047

This LED Mirror features a diffused illuminated border to the rear of the mirror which provides a uniform light output with no dark spots. The Tunable function enables users to choose the most suitable colour temperature for their décor or individual preference, warm white, natural white or cool white. It can also be dimmed to create the desired ambience.

The mirror stays fog free due to the built-in demister pad, which switches off automatically after 30 minutes. The mirror also has an IP44 rating making it suitable for use in a bathroom environment.

The Kingston features a Shaver Socket.



-  500mm(w) x 700mm(h)
-  Shaver Socket
-  IP44 Rated
-  Diffused Back-lit Border
-  Touch Sensor x 1
-  Tunable White
-  Dimmable
-  Demister

Technical Information

Power Supply	240V
Cable Length	900mm
Guarantee	5 Years



Natural White 4000K



MILTON

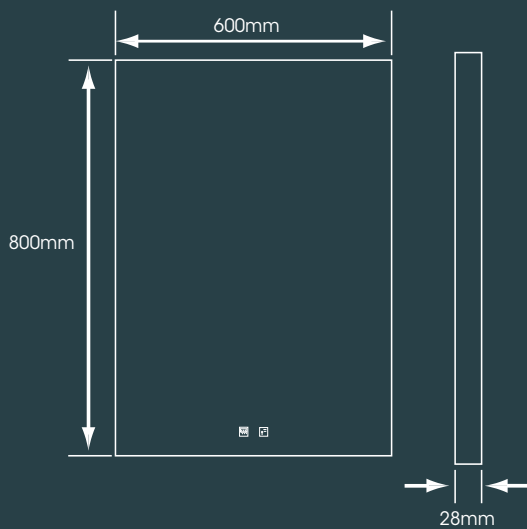
TUNABLE LED MIRROR WITH DEMISTER

SY9007

The Milton LED Mirror features a diffused illuminated border to all edges of the mirror, which provides a uniform light output to the mirror with no dark spots.

The Tunable function enables users to choose the most suitable colour temperature for their décor or individual preference, warm white, natural white or cool white. It can also be dimmed to create the desired ambience.

The mirror stays fog free due to the built-in demister pad, which switches off automatically after 30 minutes. The mirror also has an IP44 rating making it suitable for use in a bathroom environment.



- PORTRAIT 600mm(w) x 800mm(h)
- IP44 Rated
- Diffused Border
- Touch Sensor x 2
- Tunable White
- Dimmable
- Demister

Technical Information

Power Supply	240V
Cable Length	300mm
Guarantee	5 Years



Natural White 4000K



STRATFORD

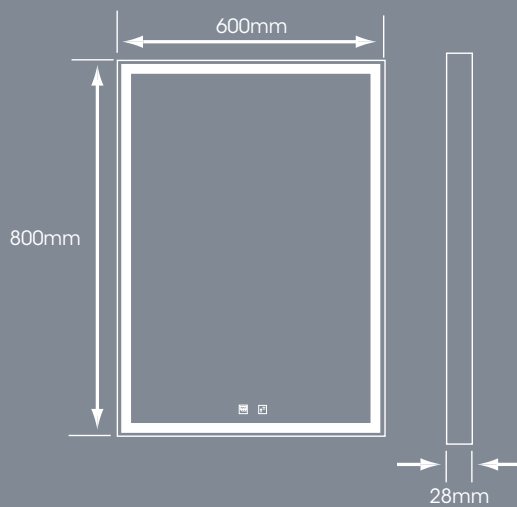
TUNABLE LED MIRROR WITH DEMISTER

SY9008

The Stratford LED Mirror features a diffused illuminated border to all edges of the mirror, which provides a uniform light output around the mirror with no dark spots.

The Tunable function enables users to choose the most suitable colour temperature for their décor or individual preference, warm white, natural white or cool white. It can also be dimmed to create the desired ambience.

The mirror stays fog free due to the built-in demister pad, which switches off automatically after 30 minutes. The mirror also has an IP44 rating making it suitable for use in a bathroom environment.



PORTRAIT 600mm(w) x 800mm(h)

IP44 IP44 Rated

DIFFUSED BORDER Diffused Border

Touch Sensor x 2

TUNABLE Tunable White

DIMMABLE Dimmable

Demister

Technical Information

Power Supply	240V
Cable Length	300mm
Guarantee	5 Years

Warm White 2700K



Cool White 6500K



Natural White 4000K



SUDBURY

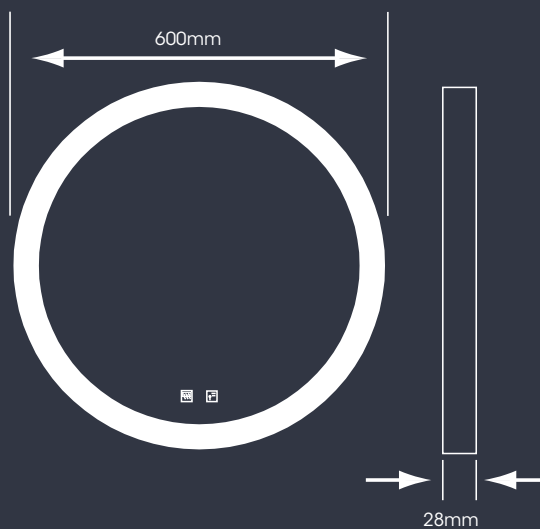
TUNABLE LED MIRROR WITH DEMISTER

SY9009

The Sudbury LED Mirror features a diffused illuminated border to all edges of the mirror, which provides a uniform light output all around the mirror with no dark spots.

The Tunable function enables users to choose the most suitable colour temperature for their décor or individual preference, warm white, natural white or cool white. It can also be dimmed to create the desired ambience.

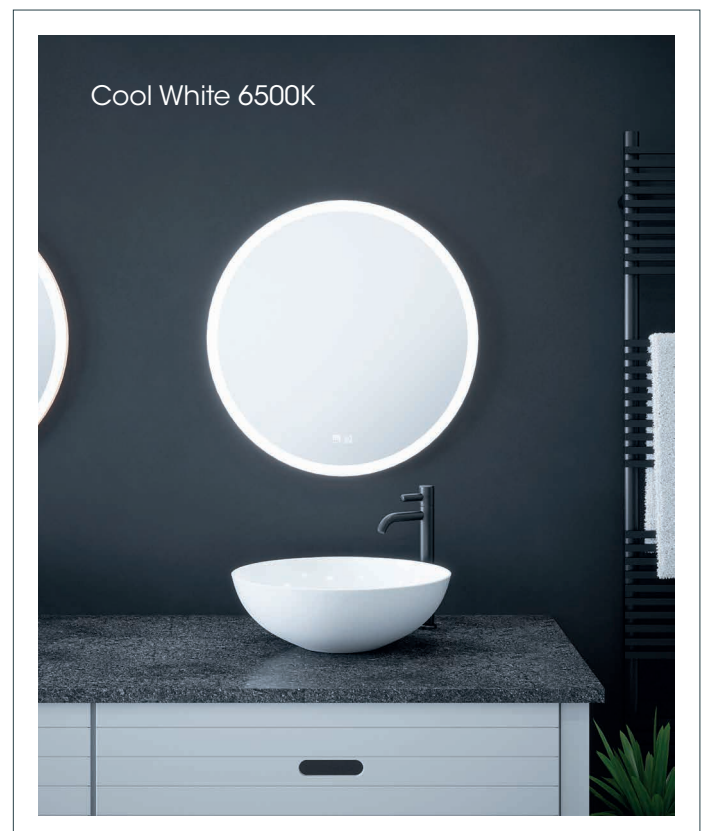
The mirror stays fog free due to the built-in demister pad, which switches off automatically after 30 minutes. The mirror also has an IP44 rating making it suitable for use in a bathroom environment.



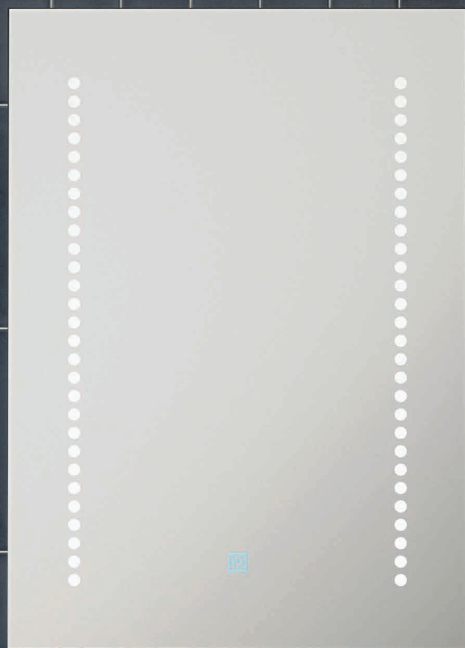
- ROUND 600mm(dia)
- IP44 IP44 Rated
- DIFFUSED BORDER Diffused Border
- Touch Sensor x 2 Touch Sensor x 2
- TUNABLE Tunable White
- DIMMABLE Dimmable
- Demister Demister

Technical Information

Power Supply	240V
Cable Length	300mm
Guarantee	5 Years



Natural White 4000K



HERA

CE UKCA ROHS

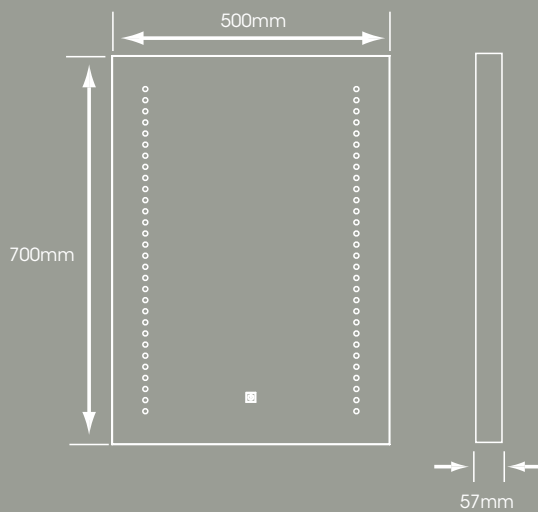
TUNABLE LED MIRROR WITH SHAVER SOCKET & DEMISTER

SY9027

The Hera Tunable LED Mirror comes complete with Shaver Socket.

The Tunable function enables users to choose the most suitable colour temperature for their décor or individual preference, warm white, natural white or cool white. It can also be dimmed to create the desired ambience.

The mirror stays fog free due to the built-in demister pad, which switches off automatically after 30 minutes. The mirror also has an IP44 rating making it suitable for use in a bathroom environment.



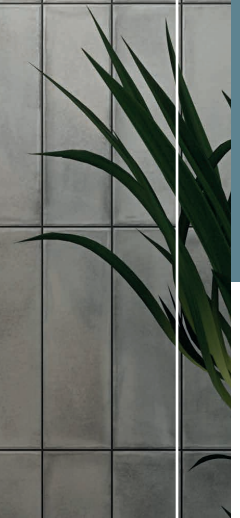
- PORTRAIT** 500mm(w) x 700mm(h)
- Shaver Socket**
- IP44** IP44 Rated
- MULTI POINT** Multi LED Points
- Touch Sensor x 1**
- TUNABLE** Tunable White
- DIMMABLE** Dimmable
- Demister**

Technical Information

Power Supply	240V
Cable Length	900mm
Guarantee	5 Years



Natural White 4000K



ARES



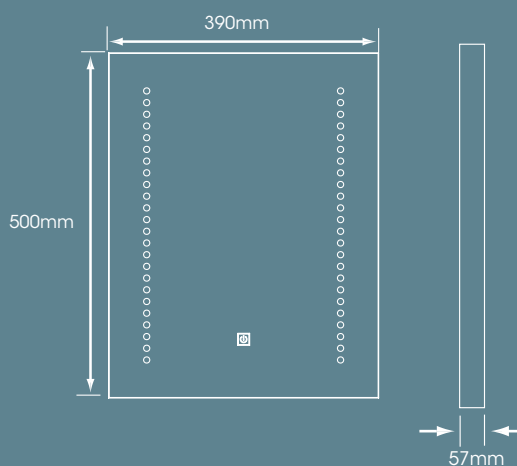
TUNABLE LED MIRROR WITH SHAVER SOCKET & DEMISTER

SY9028

The Ares comes complete with a Shaver Socket.

The Tunable function enables users to choose the most suitable colour temperature for their décor or individual preference, warm white, natural white or cool white. It can also be dimmed to create the desired ambience.

The mirror stays fog free due to the built-in demister pad, which switches off automatically after 30 minutes. The mirror also has an IP44 rating making it suitable for use in a bathroom environment.



PORTRAIT 390mm(w) x 500mm(h)

Shaver Socket

IP44 IP44 Rated

MULTI POINT Multi LED Points

Touch Sensor x 1

TUNABLE Tunable White

DIMMABLE Dimmable

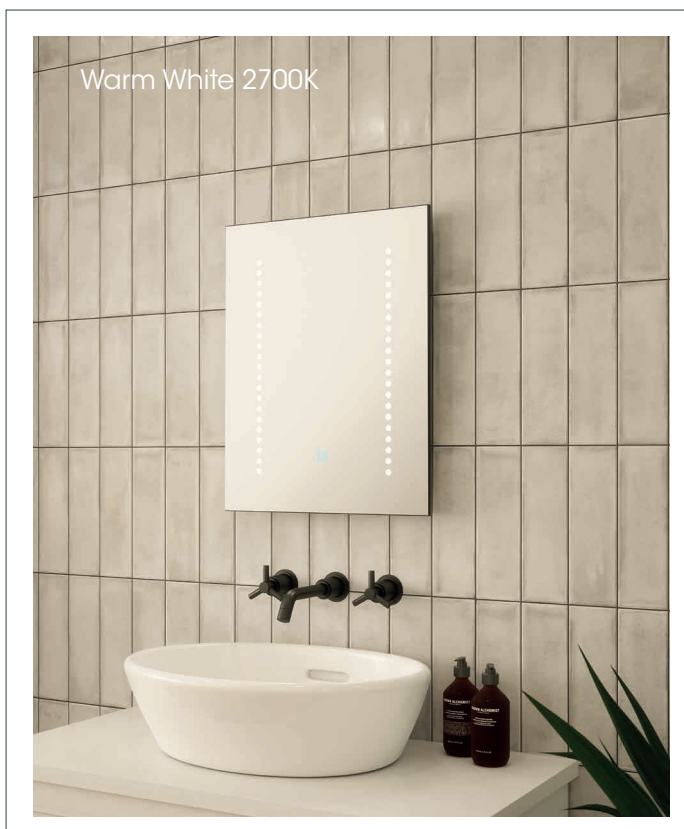
Demister

Technical Information

Power Supply 240V

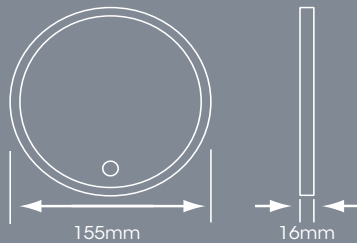
Cable Length 900mm

Guarantee 5 Years



LORRAINE

PORTABLE LED VANITY MIRROR
RECHARGEABLE LITHIUM BATTERY



The elegant Lorraine compact mirror is rechargeable using a USB cable (included), and lasts for up to 2 hours when fully charged. Simply touch the mirror to turn on or off.

The mirror comes with its own stand, but also features a reusable adhesive back to stick to surfaces such as ceramic, marble, acrylic, porcelain, enamel, and other mirrors.

It also has 2 x magnification, and built in eye protection with extreme low blue light. Available in natural white which closely simulates natural daylight.

TECHNICAL INFO

Lithium Battery	5V
Recharge Time	1.5 hours, from no charge to full charge
Charging	Via USB cable (included)
Colour Appearance	Natural White
Sensor	Touch/on/off
IP Rating	IP20
Guarantee	12 Months

PART CODE & DESCRIPTION

Lorraine Rechargeable LED Vanity Mirror SY9011



TITAN

PORTABLE LED VANITY MIRROR
RECHARGEABLE LITHIUM BATTERY



This stylish Titan mirror features an illuminated halo ring which is activated and dimmed at the touch of the built in button. The mirror also features a sensor, which turns the light off after 20 seconds if it senses no movement. The sensor stays activated for 15 minutes so will switch the light on again if it senses further movement. After this period it will enter a sleep state and will require re-activating via the button.

It is rechargeable using a USB cable (included), and lasts for up to 2 hours when fully charged.

TECHNICAL INFO

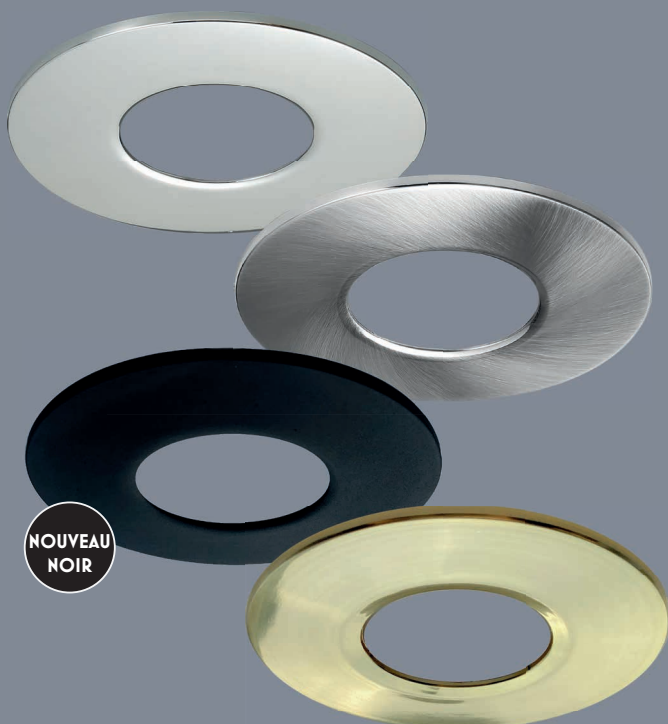
Lithium Battery	5V
Battery Capacity	4000mAh
Recharge Time	3 hours, from no charge to full charge
Charging	Via USB cable (included)
Colour Appearance	Natural White
Sensor	Touch/on/off/dimming
IP Rating	IP20
Guarantee	12 Months

PART CODE & DESCRIPTION

Titan Rechargeable LED Vanity Mirror SY9021



SWITCHABLE DIMMABLE IP65 FIRE RATED DOWNLIGHT



NOUVEAU
NOIR

Choose from 3000k, 4000k or 6000k by simply choosing your preference using the integrated switch on the fitting. It is also fully dimmable from most standard wall dimmers, and also includes a built-in power converter.

The light output is equivalent to a 50W GU10 halogen lamp, but due to the latest LED technology it uses 85% less energy, helping to save money and the environment.

The fitting is designed to allow loft insulation to be continuously run over the back of the fitting (IC Rated), and features a loop in - loop out clip block.

TECHNICAL INFO

Power Supply	240V
Colour Appearance	Switchable - Warm, Natural or Cool
Colour Temperature	Switchable - 3000K, 4000K or 6000K
Guarantee	5 Years
Wattage	8W
Beam Angle	60°
Total Lumens	WW - 782lm NW - 916lm, CW - 805lm
IP Rating	IP65
Colour Rendering Index	>Ra 80
Finish	White (Chrome, Brushed Nickel, Matt Black & Gold available to purchase separate)
Cut Out Size	70mm

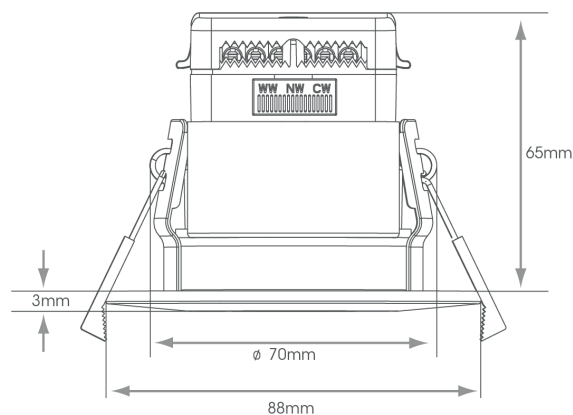
PART CODE & DESCRIPTION

Switchable Dimmable LED IP65 Fire Rated Downlight White	SY9004WH
ADDITIONAL BEZELS	
Chrome Bezel	SY9006CC
Brushed Nickel Bezel	SY9005BN
Matt Black Bezel	SY9005BL
Gold Bezel	SY9005G

Power Converter Included

COMPATIBLE ACCESSORIES

Kinetic Wireless Switching (inc. dimming) Page 52/53



ASPEN 1

TUNABLE LED CEILING LIGHT

IP44 & WITH BLUETOOTH SPEAKER



This unique ceiling light features a Bluetooth Speaker, enabling users to stream music from connected devices such as smartphones or tablets, and is also tunable white using the supplied remote control.

Choose the desired colour temperature to suit the installation, from warm white, to natural white and to cool white, as well as dim and switch on or off, by simply using the remote control.

This fitting also provides a uniform light output due to the edge lit feature.

TECHNICAL INFO

Power Supply	240V
Guarantee	5 Years
Colour Appearance	Tunable White (Warm, Natural, Cool)
Colour Temperature	Tunable (2700K, 4000K, 6500K)
Total Lumens	1200lm
Colour Rendering Index	>Ra 80
Wattage	17W (+6W Speaker)
IP Rating	IP44

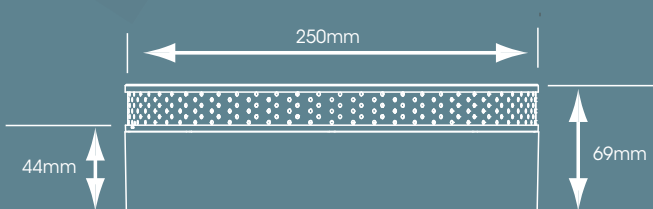
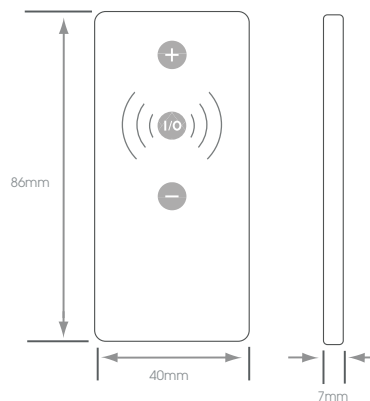
PART CODE & DESCRIPTION

Aspen 1 IP44 Tunable LED Ceiling Light with Bluetooth Speaker	SY9012
--	--------

No Power Converter Required



Remote control included.



ASPEN 2

IP44 LED CEILING LIGHT

This IP44 rated downlight is perfect for situating in a bathroom. Available in natural white, this fitting provides a uniform light output due to the edge lit feature.



TECHNICAL INFO

Power Supply	240V
Guarantee	5 Years
Colour Appearance	Natural White
Colour Temperature	4000K - 4500K
Total Lumens	1200lm
Colour Rendering Index	>Ra 80
Wattage	17W
IP Rating	IP44

PART CODE & DESCRIPTION

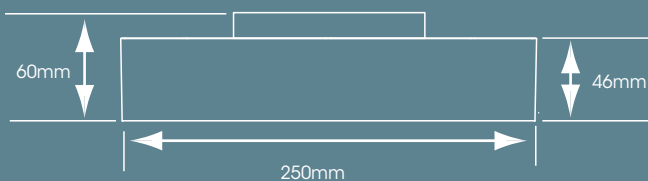
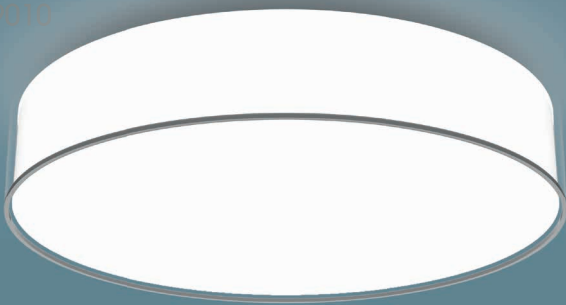
Aspen 2 IP44 LED Ceiling Light	SY9010
--------------------------------	--------

No Power Converter Required

COMPATIBLE ACCESSORIES

Kinetic Wireless Switching (Not Dimmable)	Page 52/53
--	------------

IP44 LED Ceiling Light
SY9010



NOVA PRO

RECHARGEABLE LITHIUM BATTERY SENSOR LIGHT



The new Nova Pro lithium battery light is perfect for situating within cabinets, cupboards or drawers. The unit features an integrated PIR sensor, to automatically turn the light on when movement is sensed within a 4 metre range. When no further movement is detected after 20 seconds, the unit will turn itself off.

It features a slim, discreet profile, with a diffused natural white LED illuminated panel. It is also easily removed from its magnetic brackets for charging. USB-C charging cable included

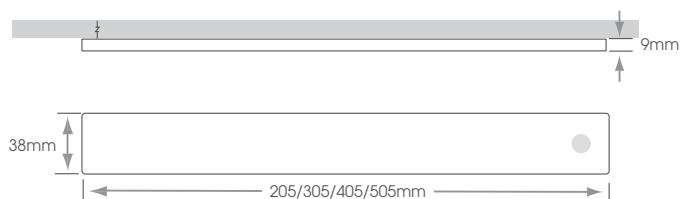
The battery light will last for one month based on 5 minutes use per day, and takes 2.5 hours to charge from empty to fully charged.

TECHNICAL INFO

Finish	Silver
Lithium Battery	5V
Battery Capacity	600mAh - 2400mAh
Lighting Time	1 Month (based on 5 minutes usage per day without charge)
Re-charge Time	2.5 hours from no charge to full
Charging	Via USB cable (included)
Colour Appearance	Natural White
Colour Temperature	4000K - 4500K
PIR Sensor Max Distance	4m
Guarantee	12 Months

PART CODE & DESCRIPTION

Nova Pro 205mm	SY9039
Nova Pro 305mm	SY9040
Nova Pro 405mm	SY9041
Nova Pro 505mm	SY9042



SIRIUS RECESSED/SURFACE

LED CABINET LIGHT

CE UKCA III F M ROHS



The Sirius has a diffused cover to mimic the appearance of halogen cabinet lights, and has no visible LED points. Sirius also has a 120 degree beam angle, which fills cabinets or vanity areas, and eliminates dark spots. The fitting is IP44 rated so suitable for use in a bathroom, ideal for cabinets or shelving.

PART CODE & DESCRIPTION

Recessed Brushed Nickel/Warm White	SY7453BN/WW
Recessed Brushed Nickel/Natural White	SY7453BN/NW
Recessed Chrome/Natural White	SY7453CC/NW
Surface Brushed Nickel/Warm White	SY7462BN/WW
Surface Brushed Nickel/Natural White	SY7462BN/NW
Surface Chrome/Natural White	SY7462CC/NW

COMPATIBLE POWER CONVERTERS

8W 12Vdc LED Power Converter (1 - 3 lights)	SY9980B
15W 12Vdc LED Power Converter (1 - 5 lights)	SY9739B
20W 12Vdc LED Power Converter (1 - 6 lights)	SY7350C

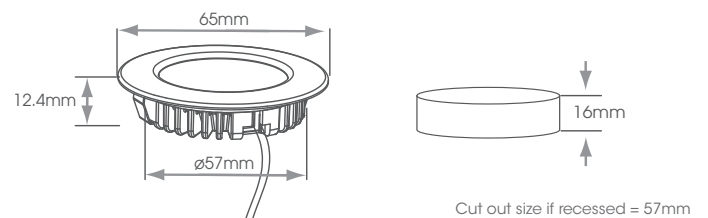
COMPATIBLE ACCESSORIES

Kinetic Wireless Switching (inc. dimming)	Page 52/53
Sensors, Switches & Dimmers	Website
Wifi 4 Zone Controls	Website
2m (SY7183) or 5m (SY7183/5) Extension Cable	

TECHNICAL INFO

Finish	Chrome or Brushed Nickel
Power Supply	12Vdc
Cable Length	2m
Guarantee	5 Years
Colour Appearance	Warm White* or Natural White
Colour Temperature	3000K - 3500K or 4000K - 4500K
Total Lumens	WW - 140lm NW - 140lm
Colour Rendering Index	Ra 84
Wattage	2.6W
IP Rating	IP44
Beam Angle	120°

* Warm White only available in Brushed Nickel



ARC

IP67 LED FLEXIBLE STRIP



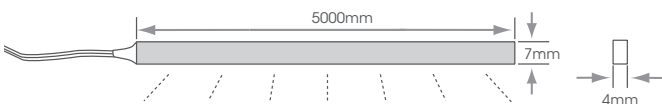
- 25mm cut points
- IP67
- 60 LED's per metre
- 1.5W per metre



The new super-slim ARC LED strip offers a discreet, dot-less uniform light line. It can be recessed or surface mounted into or under cabinets or cupboards, alcoves or wall features using the 3M VHB adhesive tape which is applied to each 5 metre length of strip.

The super-slim ARC can negotiate 90 degree internal and external corners without creating any dark spots, and at 1.5w per metre, it is very energy efficient.

The product also comes with a 5-year warranty and is IP67 rated so it is totally waterproof and perfect for enhancing any bathroom design.



TECHNICAL INFO

Power Supply	12Vdc
Adhesive	3M VHB
Cable Length	2m at both ends
Guarantee	5 Years
Colour Appearance	Warm White or Natural White
Colour Temperature	3000K - 3500K or 4000K - 4500K
Colour Rendering Index	> Ra 90
Wattage	1.5W/m
IP Rating	IP67
Cut Marks	Every 25mm
LEDs per metre	60

PART CODE & DESCRIPTION

5M ARC Reel Warm or Natural White SY9026WW or NW

COMPATIBLE POWER CONVERTERS

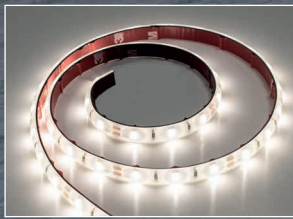
- 8W 12Vdc LED Power Converter (runs up to 5m) SY9980B
- 15W 12Vdc LED Power Converter (runs up to 10m) SY9739B

COMPATIBLE ACCESSORIES

- Kinetic Wireless Switching (inc. dimming) Page 52/53
- Sensors, Switches & Dimmers Website
- Wifi 4 Zone Controls Website
- 2m (SY7183) or 5m (SY7183/5) Extension Cable

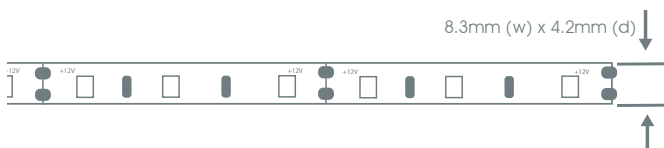
ASTRAL

IP65 LED FLEXIBLE LED STRIP



This LED strip is available in warm or natural white, and is IP65 rated so ideal for use in a bathroom.

Each length of strip includes the 1.5m distributor cable to plug into the power converter. A high output version of this strip is available upon request (9.6W per metre).



TECHNICAL INFO

Power Supply	12Vdc
Adhesive	3M VHB
Cable Length	1.5m at one end
Guarantee	5 Years
Colour Appearance	Warm White or Natural White
Colour Temperature	3000K - 3500K or 4000K - 4500K
Colour Rendering Index	WW - Ra 85 NW - Ra 85
Wattage	4W/m
IP Rating	IP65
Cut Marks	Every 50mm
LEDs per metre	60

PART CODE & DESCRIPTION

1M LED Strip Warm or Natural White	SY8983WW or NW
2M LED Strip Warm or Natural White	SY8984WW or NW
3M LED Strip Warm or Natural White	SY8985WW or NW

COMPATIBLE POWER CONVERTERS

15W 12Vdc LED Power Converter (runs up to 3m)	SY9739B
20W 12Vdc LED Power Converter (runs up to 5m)	SY7350C
30W 12Vdc LED Power Converter (runs up to 7m)	SY7715A
50W 12Vdc LED Power Converter (runs up to 12m)	SY7351D

COMPATIBLE ACCESSORIES

Kinetic Wireless Switching (inc. dimming)	Page 52/53
Sensors, Switches & Dimmers	Website
Wifi 4 Zone Controls	Website
Aluminium Extrusions (Various available)	Website
2m (SY7183) or 5m (SY7183/5) Extension Cable	

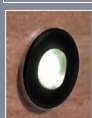
VERVE

IP67 15MM LED PLINTH LIGHT



PART CODE & DESCRIPTION

Verve 15mm Plinth 4 Light Kit*	SY9936WW or CW
Verve 15mm Plinth 10 Light Kit*	SY9928A/WW or CW
Verve 15mm Plinth Additional Light	SY9937A/WW or CW
Black Cover	SY9939BK



* Power converter included in kit (max 10 lights)

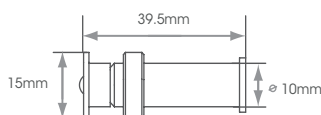
The small and discreet recessed Verve plinth light is available with either cool or warm white LED, giving a choice to suit any particular bathroom design. The plinth lights are IP67 rated, making them suitable for use in a bathroom. An optional black cover is also available.

TECHNICAL INFO

Finish	Stainless Steel
Power Supply	12Vdc
Cable Length	1.5m
Guarantee	5 Years
Colour Appearance	Warm White or Cool White
Colour Temperature	3000K - 3500K or 6000K - 6500K
Wattage	0.2W
IP Rating	IP67

COMPATIBLE ACCESSORIES

Kinetic Wireless Switching (inc. dimming)	Page 52/53
Sensors, Switches & Dimmers	Website
Wifi 4 Zone Controls	Website
2m (SY7183) or 5M (SY7183/5) Extension Cable	



Cut out size = 10mm



SIRIUS

IP44 SQUARE LED PLINTH LIGHT



PART CODE & DESCRIPTION

Sirius Square Plinth 3 Light Kit*	SY7523WW or NW
-----------------------------------	----------------

* Power converter included in kit (max 3 lights)

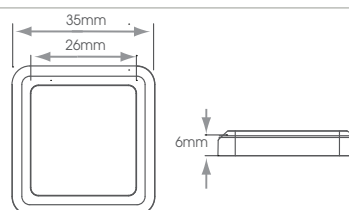
The small square plinth light is part of our Sirius collection which features a diffused cover to hide the LED points within the fitting for a sleek look. The square plinth light is surface mounted, and is easily installed using the strong adhesive back included.

TECHNICAL INFO

Finish	Stainless Steel
Power Supply	12Vdc
Cable Length	2m
Guarantee	5 Years
Colour Appearance	Warm White or Natural White
Colour Temperature	3000K - 3500K or 4000K - 4500K
Wattage	1.5W
IP Rating	IP44

COMPATIBLE ACCESSORIES

Kinetic Wireless Switching (inc. dimming)	Page 52/53
Sensors, Switches & Dimmers	Website
Wifi 4 Zone Controls	Website
2m (SY7183) or 5M (SY7183/5) Extension Cable	



SIRIUS

IP44 ILLUMINATED LED FLOATING SHELF



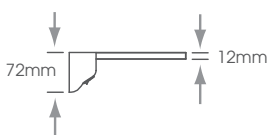
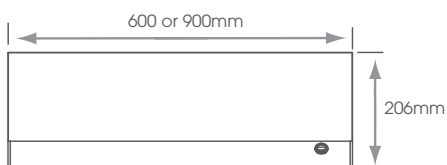
This LED shelf features a stylish opal acrylic panel, with a natural white glow emitted through the shelf from the LED situated within the aluminium hanging bracket.

The shelf is easily installed using the included hanging brackets, and is available in 600mm or 900mm lengths.

The maximum load the shelf can hold is 3 kilograms, and is suitable for installation in bathrooms zones 1 & 2.

TECHNICAL INFO

Finish	Aluminium
Power Supply	240V
Cable Length	2m
Guarantee	5 Years
Colour Appearance	Natural White
Colour Temperature	4000K - 4500K
Wattage	10W/15W
IP Rating	IP44



PART CODE & DESCRIPTION

Sirius IP44 Illuminated LED Floating Shelf 600mm	SY7417A
Sirius IP44 Illuminated LED Floating Shelf 900mm	SY7418A

KINETIC

SMART CONTROLS



Alexa, turn on bathroom lights



Control either 12/24V lighting, or 240V lighting including Ceiling Lighting & Extractor fans, in the following ways:



Wireless Wall Plate Switch

(No wiring or batteries required)



Smart Phone or Tablet

(Using a free App)



Alexa or Google Voice Control

Look for the logos for compatible products



The new wireless Kinetic Switching system allows users to turn on their kitchen, bedroom or bathroom lighting in three different ways.

Lighting can be controlled manually by using the Wireless Kinetic Switch, through a Smart Phone or Tablet using the Smart Life App (free downloadable app via the QR code on the instruction leaflet), or by connecting it to a voice controlled intelligent personal assistant such as Amazon Alexa or Google Home.

Once connected, lighting can be operated with simple commands, such as "Alexa turn on bathroom lights" or "Google dim strip lights".

EASY DIMMING

Dimming is also possible, by using the 12V/24Vdc Furniture Lighting Receiver with built in dimming facility. 240V LED Lighting (with dimmable lamp fitted), and dimmable ceiling lighting can also be controlled using the 240v receiver. Simply holding down the switch activates the dimming process.

ENERGY SAVING

A small amount of kinetic energy is generated by the action of the clicking of the switch, which is converted to an electrical signal and sent to the receiver. The amount of energy used is very low, so the switch adheres to strict requirements on low power consumption & helps the environment.

WIRELESS SWITCHES - EASY TO INSTALL & RETRO-FIT

The Kinetic switches require no wiring or batteries which eliminates the need for installing back boxes, creating channels in walls and adjusting decor, thus speeding up the installation process and reducing labour time & costs.

The switch can be installed anywhere in the home, including the bathroom due to its IP67 rating. It can also be installed on a variety of surfaces, including glass, marble, ceramic tiles, and other smooth surfaces. The switches can be screwed to the surface, or stuck on with the adhesive pads supplied.

They can also be retro-fit onto existing back boxes as they are the same size as standard switches.



WIRELESS KINETIC DOOR SENSOR

The Kinetic Wireless door sensor switch (SY2446) is a battery free contact switch to turn lights on and off, so no batteries or wires are required.

When the door is opened the connected light switches on via a kinetic energy transfer to the receiver. Receiver required.

Download the Smart Life app here:

IOS

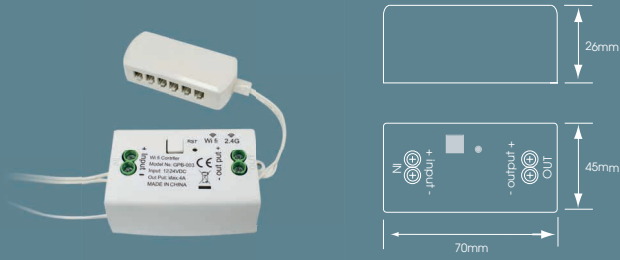


ANDROID



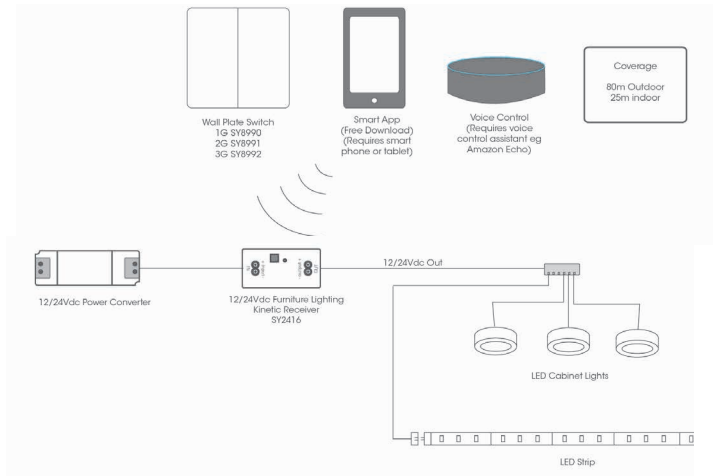
12V/24V FURNITURE LIGHTING SMART WIRELESS RECEIVER

This receiver can be used to switch or dim 12/24vdc LED lighting.



TECHNICAL INFO

Power Supply	12/24Vdc
Maximum Load	12Vdc - 36W, 24Vdc - 72W

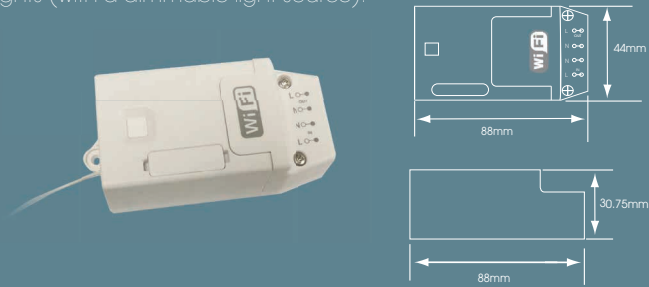


PART CODE & DESCRIPTION

12/24Vdc Furniture Lighting Receiver	SY2416
--------------------------------------	--------

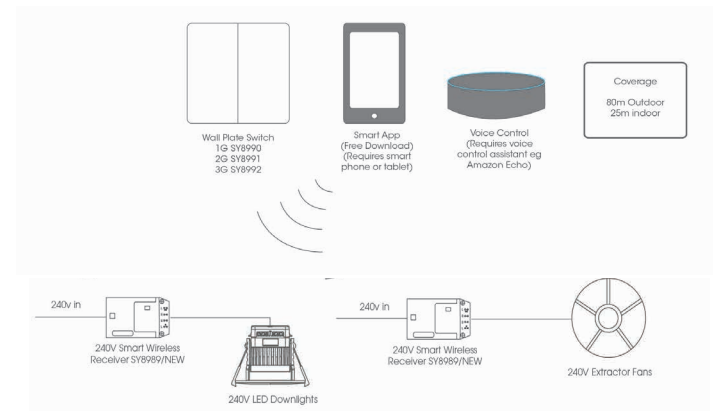
240V LIGHTING SMART WIRELESS RECEIVER

This receiver can be used to switch 240V LED lighting, including ceiling lighting & bathroom fans. You can also dim connected lights (with a dimmable light source).



TECHNICAL INFO

Power Supply	240V
Maximum Load	100W



PART CODE & DESCRIPTION

240V Lighting Receiver	SY8989/NEW
------------------------	------------

WIRELESS KINETIC SWITCHES



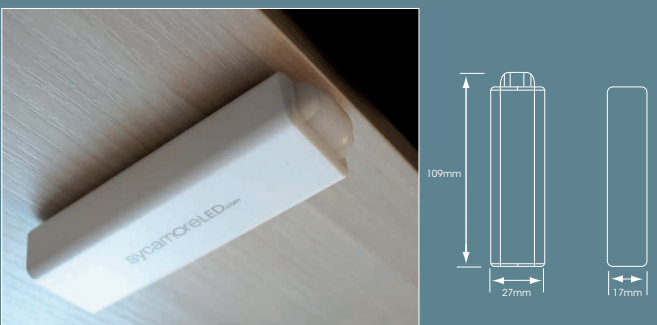
TECHNICAL INFO

Finish	White
IP Rating	IP67
Connection	Wireless
Fixing Method	Adhesive Backing or Screw

PART CODE & DESCRIPTION

1 Gang Kinetic Switch	SY8990
2 Gang Kinetic Switch	SY8991
3 Gang Kinetic Switch	SY8992

WIRELESS KINETIC DOOR SENSOR



TECHNICAL INFO

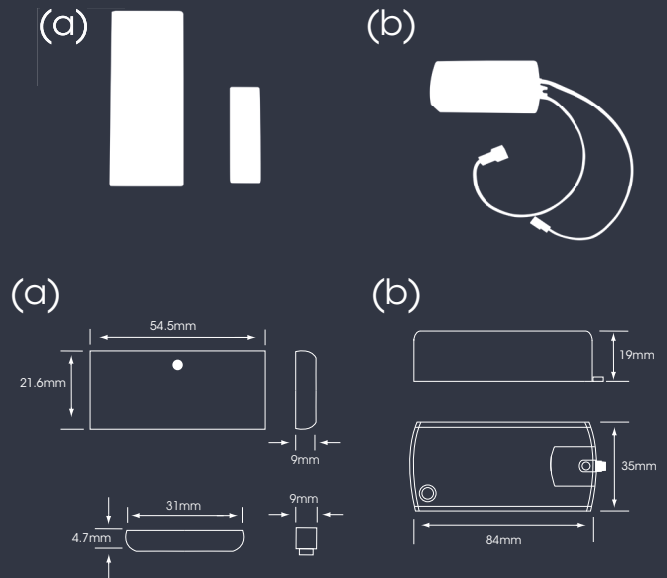
Finish	White
IP Rating	IP20
Connection	Wireless
Fixing Method	Adhesive Backing

PART CODE & DESCRIPTION

Kinetic Wireless Door Sensor	SY2446
------------------------------	--------

WIRELESS

MAGNETIC DOOR SENSOR



This wireless magnetic door sensor switch can turn lights on and off automatically. The switch is secured to the inside of a cabinet using the adhesive back, whilst the separate magnetic contact button is placed on the inside of the door. When the door closes the connected lights automatically switch off. Opening the door prompts the lights to turn back on.

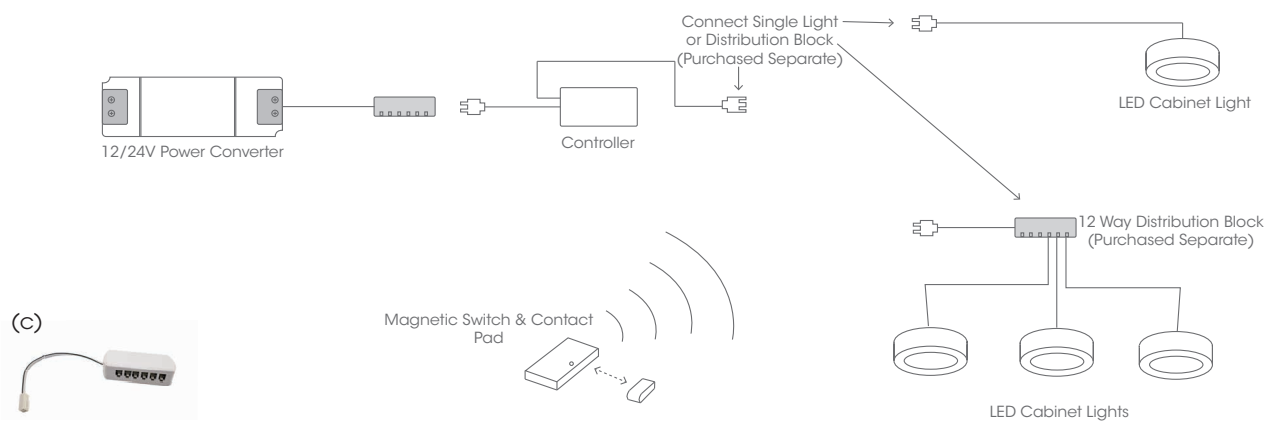
Up to 4 switches can be run from one controller, making it perfect for switching lights on and off within bathroom cabinets. The switch runs on two 3V button batteries which are very easy to change when required. Unit includes connection for one light, a 12 Way Distribution Block can be purchased separately if required.

TECHNICAL INFO

Finish	Silver
Power Supply	12/24Vdc
Cable Length	200mm
Guarantee	12 Months
Max Current	8mA
Sensor Distance	5m
Wattage	12Vdc - 36W 24Vdc - 72W
IP Rating	IP20

PART CODE & DESCRIPTION

Single Door Sensor Kit	SY2449/1
Double Door Sensor Kit	SY2449/2
Triple Door Sensor Kit	SY2449/3
Quad Door Sensor Kit	SY2449/4
Kits include 1 x controller (b) and specified number of magnetic door sensor switches (a)	
12 Way Distribution Block (c)	SY7637



PASSIVE INFRARED SENSOR

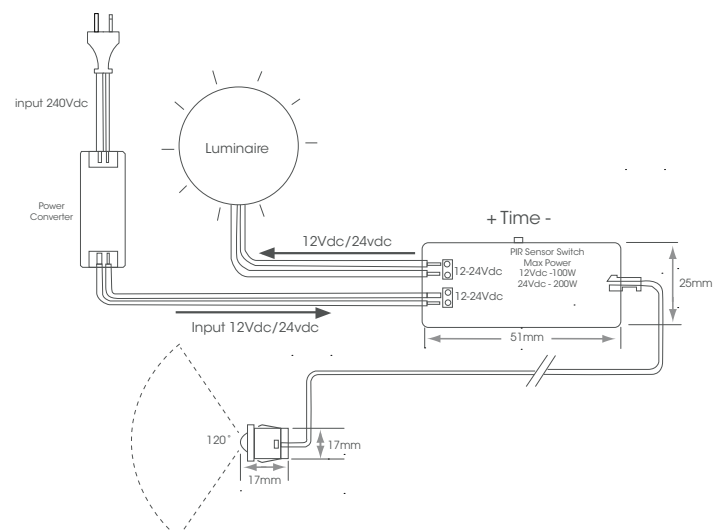


This sensor switch offers a discreet surface mounted or recessed solution for automatic switching of 12/24Vdc LED lighting. Connection via the Sycamore plug and play connector system allows connected lights to be turned on when it senses movement within a 3 metre distance at a 120 degree beam angle. The built-in timer can be adjusted from 30 to 150 seconds.

Unit includes connection for one light, a 12 Way Distribution Block can be purchased separately if required.

TECHNICAL INFO

Finish	White
Power Supply	12/24Vdc
Cable Length	Sensor Cable - 2m, Input Cable - 1m Output Cable - 1m
Max Current	10A
Sensor Distance	1 - 3m
Sensor Range	120°
Adjustable Timer	30 - 150 seconds
Wattage	12Vdc 100W 24Vdc 200W
IP Rating	IP20
Mounting	Recessed or Surface (Vertical or Horizontal)
Guarantee	12 Months



PART CODE & DESCRIPTION

Passive Infra Red Sensor	SY8815
12 Way Distribution Block (a)	SY7637



EXTRACTOR FANS

ICON 15 & 30



	Icon 15	Icon 30
Extract Volume	19 l/sec (69 m ³ /h)	32 l/sec (117 m ³ /h)
Sound Pressure d B (A) @ 3M	28.8	33.3
Impeller	Axial	Mixed centrifugal/axial
Mounting (wall/ceiling)	Recessed	Recessed and Surface
Weight (Kg)	0.74	1.11
Ductable	Up to 4m	Up to 9m
Outlet (dia)	100mm (4 inch)	100mm (4 inch)
Power (watts)	9.4	26.4
Voltage	230V/1PH/50Hz	230V/1PH/50Hz
Max Amb. temp	40°C	40°C
IP Rating	IPX4	IPX4

* Data above not applicable to low voltage model (SY7079), please call us for further information.



EXTRACTOR FANS

QUIETAIR



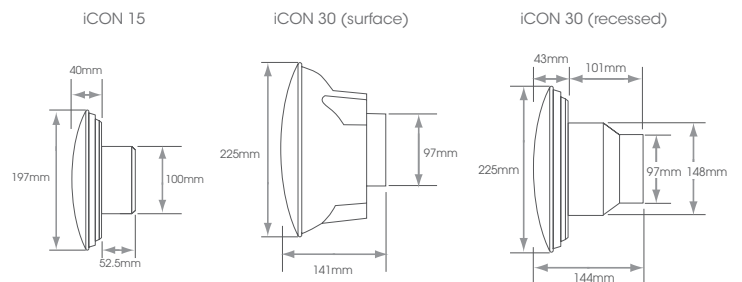
	QT100T	QT100B
Airflow	m ³ /h—75/90 l/s 20.8/25	m ³ /h—75/90 l/s 20.8/25
Airflow @ 31Pa	m ³ /h—60 l/s 16.6	m ³ /h—60
High Efficiency Impeller	Axial	Axial
Mounting	Wall/ceiling	Wall/ceiling
Sound pressure d B (A) @ 3m	25/30	25/30
Delay start (minutes) optional	2	No
Adjustable timer (minutes)	6, 10, 15, 21	-
Power (watts)	5/9	5/9
SFP @ 20.8 (w/l/s)	0.24	0.24
Voltage	230/1/50-60Hz	230/1/50-60Hz
IP Rating	IP45	IP45
Max Amb. temp	40°C	40°C
Interval timer, auto start (hours)	0, 8, 12, 24	-

The Icon 15 is ideal for situating in smaller applications, such as toilets, en-suites, shower rooms and small bathrooms. Recessed into the wall or ceiling, it is stylish and unobtrusive, even in the smallest space. Icon 30 is quiet, powerful and designed for recessed or surface mounting in walls or ceilings in larger toilets, bathrooms and utility rooms.

The Icon 30S Low Voltage fan is ideal for locating within a shower cubicle or above a shower head.

PART CODE & DESCRIPTION

ICON 15 Extractor Fan	SY7070
ICON 30 Extractor Fan	SY7101
PCM Module - Pull Cord Module	SY7071
TM - Adjustable Timer Module	SY7072
HTM Module - Adjustable Humidity/Pull Cord/Timer	SY7094
PRTM Module - Passive Infra Red/Timer Module	SY7095
PRHTM Module - Passive Infra Red/Humidity/Timer Module	SY7096
ICON 15 Anthracite Cover	SY7097ANTH
ICON 15 Chrome Cover	SY7097CC
ICON 15 Sandstone Cover	SY7097SAND
ICON 15 Silver Cover	SY7097SIL
ICON 30 Anthracite Cover	SY7098ANTH
ICON 30 Sandstone Cover	SY7098SAND
ICON 30 Silver Cover	SY7098SIL
Terracotta 100mm Cavity Wall & Grille Kit	SY7099
Terracotta Flexible 100mm Cavity Wall & Grille	SY7100
ICON ECO 30S Low Voltage Extractor Fan*	SY7079
Pull Cord/Timer Module for (SY7079) Low Voltage Fan	SY7080

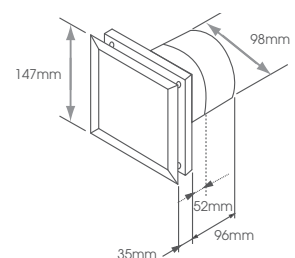


QuietAir combines contemporary design with ultra low noise levels and outstanding energy efficiency. QuietAir sets new standards for the reliable, low cost ventilation.

Suitable for toilets, en-suites and bathrooms; and at just 25dB(A) you will hardly hear the fan running, even at night!

PART CODE & DESCRIPTION

QuietAir QT 100B	SY7073
QuietAir QT 100T (With Timer)	SY7074
Terracotta 100mm Cavity Wall & Grille Kit	SY7099
Terracotta Flexible 100mm Cavity Wall & Grille	SY7100



Dimensions are given in mm



EXTRACTOR FANS

AIR-STREAM PRO



NOUVEAU
NOIR

The Air-Stream Pro fan has a slim, compact and light design, suitable for bathrooms, en-suites and toilets. Designed to be fitted into walls and ceilings, this modern design is easy to wipe clean and duct over short lengths (2m max). The fan also features an integrated delay timer and a silicon steel motor with built in cut off protection.

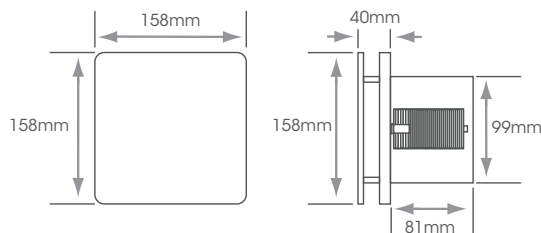
This ultra-quiet fan is an ideal solution for removing damp moist air, odours and airborne pollutants.

PART CODE & DESCRIPTION

Air-Stream Pro 4" Extractor Fan Chrome	SY7059CC
Air-Stream Pro 4" Extractor Fan White	SY7059WH
An optional black or stainless steel effect cover is available to purchase separate (please purchase white fan plus the cover below)	
Optional Stainless Cover (fan purchased separate)	SY7007SS
Optional Black Cover (fan purchased separate)	SY7007BK

TECHNICAL INFO

Finish	White/Chrome/Stainless Steel Effect/Black
Timer	Yes
Cut Out	105mm
Air Volume (cbm)	74.8
Noise Level (Db)	35
IP Rating	IPX4
Guarantee	2 Years



SHOWERLIGHT FAN WITH LED LIGHT AND TIMER



Highly reliable fan in a modular design for ease of installation and maintenance. The fan light is designed to provide light/extraction over shower cubicles and is manually operated by a remote switch (not included) and also features a timer control. The fan comes with a fixing bracket and is compact and ductable over short lengths (3m).

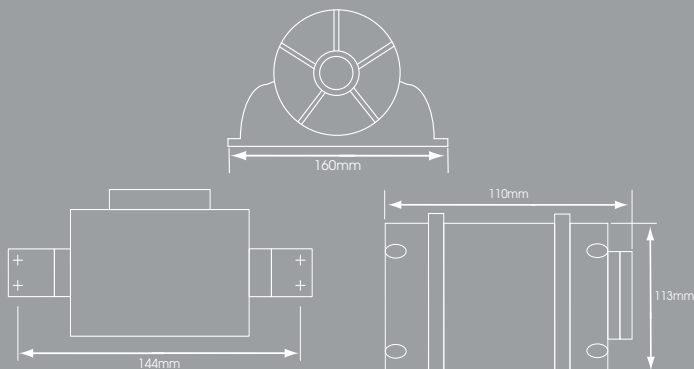
The kit contains the fan with timer, 3m flex duct, ties, 12Vdc LED lamp in either natural or cool white, chrome and white grilles and an external grille.

PART CODE & DESCRIPTION

Shower Fan Kit with Natural or Cool White LED	SY7688A/NW or CW
---	------------------

TECHNICAL INFO

Finish	White or Chrome
Timer	Yes
Cut Out	100mm
Air Volume (cbm)	108
Noise Level (Db)	39
IP Rating	IPX4
Guarantee	2 Years
LED Wattage	NW - 3.6W WW - 4W



DUAL VOLTAGE SHAVER SOCKET CHROME



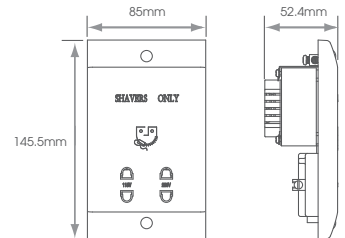
This Dual Voltage shaver socket is available in a chrome plated finish with a bevelled edge.

PART CODE & DESCRIPTION

Dual Voltage Shaver Socket 240/110V Chrome

SY9660CC

This shaver socket is suitable for use in bathrooms as required by IEE wiring regulations BS7671: 2001 Section 601



DUAL VOLTAGE SHAVER SOCKET WHITE



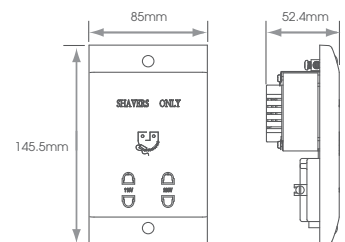
This Dual Voltage shaver socket is available in a white finish with square edges.

PART CODE & DESCRIPTION

Dual Voltage Shaver Socket 240/110V White

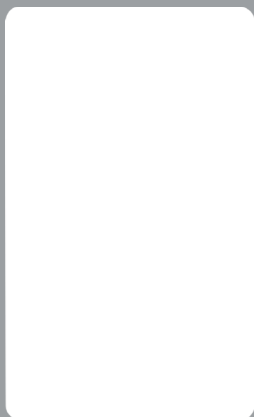
SY9258

This shaver socket is suitable for use in bathrooms as required by IEE wiring regulations BS7671: 2001 Section 601



DUAL VOLTAGE SHAVER SOCKET BLACK

NOUVEAU
NOIR



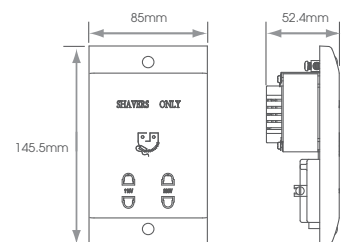
This Dual Voltage shaver socket is available in a matt black finish with square edges.

PART CODE & DESCRIPTION

Dual Voltage Socket 240/110V Black

SY9660BK

This shaver socket is suitable for use in bathrooms as required by IEE wiring regulations BS7671: 2001 Section 601



BATHROOM REGULATIONS

All installations must comply to guidelines based on the zonal requirements. These regulations apply to domestic installations only.

SycamoreLED.com recommends that all electrical work carried out is done by a suitably qualified electrician in accordance with the current IET wiring regulations (18th edition).

Bathroom lights are classified using an IP (Ingress Protection) rating. The IP characters are followed by 2 numbers which refer to the level of protection against the ingress of foreign bodies (1st number) and protection against the ingress of liquids (2nd number).

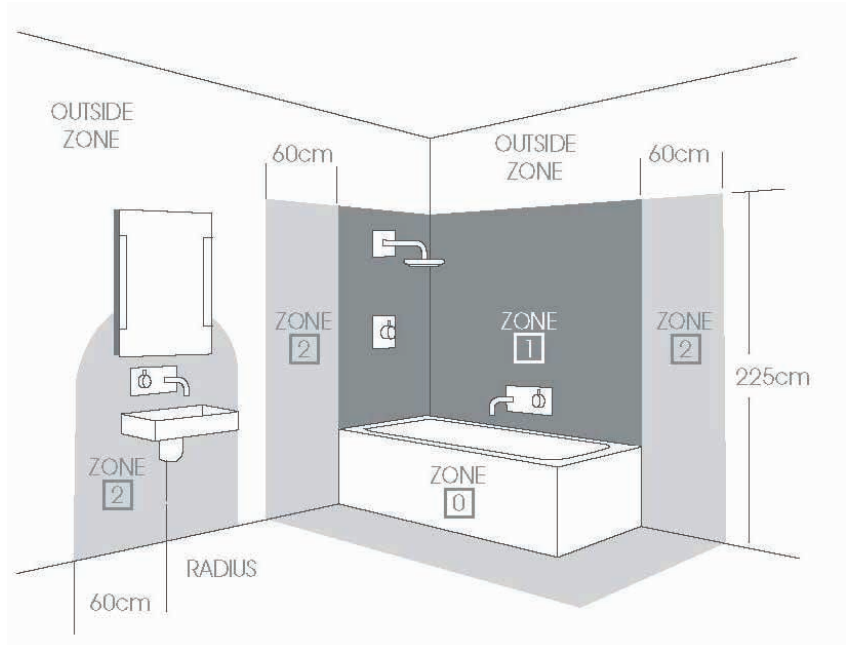
Zone 0 - is inside the bath or shower. Any fitting used in this zone must be low voltage (max 12v) and be rated at least IP67 (immersion proof).

Zone 1 - is an area above the bath to a height of 2.25m from the floor. In this zone a minimum rating of IPX4 is required.

Zone 2 - is an area stretching 0.6m outside the perimeter of the bath and to a height of 2.25m from the floor. In this zone a minimum of IPX4 is required. Around a wash basin, a radius within 60cm is considered as zone 2.

Outside zones - has no special requirements unless water jets are likely to be used for cleaning purposes.

All zones - any electrical circuits in a bathroom must be protected by a 30 mA Residual Current Device (RCD). Electrical equipment exposed to water jets for cleaning purposes must be at least IPX5.



First digit - Solids						
0	1	2	3	4	5	6
No protection	Protected against touch by hand (50mm)	Protected against touch by fingers (12mm)	Protected against tools and wires (2.5mm)	Protected against tools and small wires (1mm)	Limited dust ingress protection	Total dust ingress protection

Second digit - Liquids								
0	1	2	3	4	5	6	7	8
No protection	Protection against condensation	Protection against water spray 15 degree from the vertical	Protection against water spray 60 degree from the vertical	Protection against water spray from any direction	Protection against low pressure water jets from any direction	Protection against high pressure water jets from any direction	Protection against immersion between 15cm and 1m depth	Protection against long term immersion under pressure

EnabledLED

LEDs and LED controls are the future of lighting, and as LED capabilities continue to evolve and expand, new markets are opening up all the time. Developing new, innovative solutions for tomorrow's new LED applications takes significant investment in research and design, so by joining the EnabledLED licensing program, Sycamore LED has gained access to over 490 Signify inventions and patented technologies, which we can now build into our own products. With access to these cutting-edge technologies, we can gain greater freedom to design optimal solutions for our products.

We can shorten our time to market and also achieve an excellent balance of cost-to-quality including cost-effectiveness in our component sourcing.

Please visit www.signify.com/enabled to confirm which companies are currently licensed in the scheme and what the EnabledLED licensing program covers in more detail.



EnabledLED
Licensing Program for LED
Luminaires and Retrofit Bulbs

Member
Sycamore Lighting
Limited



Looking for further assistance?

Please call our dedicated technical team for help with bathroom regulations, lighting plans or any other technical queries

T: 0113 2866686 or email tech@sycamoreLED.com



Order by phone: 0113 286 6686

Order by email: sales@sycamoreled.com

Order online: www.sycamoreled.com
*account holders only, apply online.



SycamoreLED.com

Unit 6 Astley Lane Industrial Estate
Swillington
Leeds
West Yorkshire
LS26 8XT

www.sycamoreLED.com



Tel: +44 (0)113 286 6686

sales@sycamoreLED.com

tech@sycamoreLED.com